



**AUTOMATIC COFFEE APPLIANCE  
MACHINE A CAFÉ AUTOMATIQUE**

**PONY 2 & PONY 4**

**1XX HABILLAGE**

- 110 HABILLAGE PONY
- 111 ENSEMBLE CHARIOT BASSINE & PIEDS
- 112 ENSEMBLE DEVANT& TIROIR PONY 2
- 113 ENSEMBLE DEVANT& TIROIR PONY 4
- 120 CALANDRE PONY
- 125 SOUS ENSEMBLE CAPOT SECURITE ESE
- 126 SOUS ENSEMBLE CAPOT SECURITE FAP

**2XX SORTIES EXTÉRIEURES**

- 200 ENSEMBLE TUBE & EV SORTIE VAPEUR
- 212 SORTIE VAPEUR INOX V+
- 232 SORTIE VAPEUR REGLABLE
- 242 SORTIE STEAMAIR
- 246 SORTIE CAPPUCCINO PAR ASPIRATION
- 248 SORTIE CAPPUCCINO PAR ASPIRATION
- 250 TUBE & EV SORTIE EAU CHAUDE
- 272 SORTIE EAU CHAUDE REGLABLE (GRANDE)

**3XX HYDRAULIQUE**

- 302 CIRCUIT HYDRAULIQUE PONY 2
- 304 CIRCUIT HYDRAULIQUE PONY 4
- 310 ENTREE D'EAU & VIDANGE PONY 2
- 311 ENTREE D'EAU & VIDANGE PONY 4
- 320 POMPES 100L-200L
- 325 ENSEMBLE ELECTROVANNE PISTON PONY 2
- 326 ENSEMBLE ELECTROVANNE PISTON PONY 4
- 330 DOSEURS D'ALIMENTATION 1GR
- 331 DOSEURS D'ALIMENTATION 2GR
- 340 CHAUDIERE & BRIDE DE CHAUDIERE PONY

**4XX CIRCUIT CAFÉ**

- 460 GROUPE ESE
- 461 DETAILS GROUPE ESE
- 465 GROUPE FAP
- 466 DETAILS GROUPE FAP

**MACHINE CASING**

- PONY CASING
- SET OVERFLOW TRAY & FEET
- PONY 2 FRONT & DRAWER PANEL
- PONY 4 FRONT & DRAWER PANEL
- FRONT PANEL PONY
- HOOD SECURITY PANEL ESE
- HOOD SECURITY PANEL FAP

**EXTERNAL OUPUT**

- SET TUBE & EV STEAM OUTLET
- STEAM OUTLET V+ STAINLESS STEEL
- ADJUSTABLE STEAM OUTLET
- STEAMAIR OUTLET
- CAPPUCCINO BY ASPIRATION OUTLET
- CAPPUCCINO BY ASPIRATION OUTLET
- PIPE & EV HOT WATER OUTLET
- ADJUSTABLE HOT WATER OUTLET (TALL)

**HYDRAULIC CIRCUIT**

- HYDRAULIC CIRCUIT PONY 2
- HYDRAULIC CIRCUIT PONY 4
- INLET WATER & DRAIN PONY 2
- INLET WATER & DRAIN PONY 4
- 100L-200L PUMPS
- ENSEMBLE ELECTROVANNE PISTON PONY 2
- ENSEMBLE ELECTROVANNE PISTON PONY 4
- WATER DOSING 1 UNIT
- WATER DOSING 2 UNITS
- PONY BOILER & FLANGE BOILER

**COFFEE SYSTEM**

- PONY 2,4 ESE UNIT
- PONY 2,4 ESE UNIT DETAILS
- PONY 2,4 FAP UNIT
- PONY 2,4 FAP UNIT DETAILS

<b>5XX</b>	<b>ÉLECTRONIQUE</b>	<b>ELECTRONIC SYSTEM</b>
500	COMPOSANTS ELECTRIQUES PONY 2	ELECTRICAL COMPONENTS
501	COMPOSANTS ELECTRIQUES PONY 4	ELECTRICAL COMPONENTS
502	CONNECTEURS CARTE CPU	CPU CARD CONNECTORS
503	FUSIBLES CARTE CPU	CPU CARD FUSES
510	SCHEMA DE PRINCIPE DE CABLAGE PONY 2	DIAGRAM WIRING PONY 2
515	SCHEMA DE PRINCIPE DE CABLAGE PONY 4	DIAGRAM WIRING PONY 4
516	SCHEMA DE PRINCIPE DE CABLAGE PONY 4 (TRIPHASE)	(THREE PHASE) DIAGRAM WIRING PONY 4
<b>6XX</b>	<b>OPTION/KIT</b>	<b>OPTION/KIT</b>
<b>600</b>	KIT TIROIR AVEC SUPPORT GRILLE SUSPENDUE	DRAWER WITH SUSPENDED GRILL HOLDER KIT

**PIECES DETACHEES DE 1ERE URGENCE SPECIFIQUES AUX PONY 2/4**

REF	ELUX	DESIGNATION	DESIGNATION	QTE
12743		TUBE SILICONE POUR DECOMPRESSION	SILICONE PIPE FOR DECOMPRESSION	1 Mètre
22700	0UN052	COUDE 1/8	CROOKED FITTING 1/8	2
34406	0UN117	SONDE VAPEUR THERMOSTATEE	PROBE	1
35010		EV 3V-PISTON	ELECTROVALVE 3W	1
35012	0UN003	BOBINE EV 24V	SOLENOID COIL	2
43405	0UN068	INTERRUPTEUR EAU CHAUDE	HOT WATER SWITCH	1
43406	0UN116	INTERRUPTEUR VAPEUR	STEAM SWITCH	1
43520		SWITCH SECURITE CAPOT	TRAPDOOR SECURITY SWITCH	1
43521		SWITCH SECURITE TIROIR	DRAWER SECURITY SWITCH	1
44201	0UN018	TRANSFORMATEUR TOROIDAL 70VA	TRANSFORMER 70VA	1
45143	0UN059	BOITIER STEAMAIR	ELECTRONIC BOX	1
45144		CARTE MODULE 1 ET 2 GR	CPU 1 AND 2 UNITS	1
45145		CARTE MODULE 2GR	CPU FOR 2 UNITS	1
45146		BOITIER GROUPE	ELECTRONIC BOX	2
45312		CARTE CELLULE PHOTO	PHOTOELECTRIC CIRCUIT	1
52820	0UN072	CIRCLIPS DIAM 7 INOX	SNAP RING D7 STAINLESS	2
CN245R	0UN042	EV 2V 24V	ELECTROVALVE 2W	1
CN631R		EV DE REMPLISSAGE	ELECTROVALVE	1
CS1060		CAPSULE DE NETTOYAGE	CLEANING CAPSULE	2
RB0100		SUPPORT PASTILLE SILICONE DECOUPE	PELLET HOLDER	2
RB1037	0UN009	GROUPE ESE COMPLET	ESE GROUP	2
RB1120		ENTONNOIR NETTOYAGE	FUNNEL CLEANING	2
RB1200		TIROIR A DOSETTES COMPLET	WHOLE POD CONTAINER	1
RB6031		TUBE FLEXI 4X6 PISTON ESE	FLEX PIPE 4X6	4
RB6510	0UN007	MANCHON SILICONE POUR SORTIE CAFE	SILICONE SLEEVE COFFEE OUTLET	0.02 mètre
RB6511		TUBE PTFE POUR SORTIE CAFE	PTFE PIPE COFFEE OUTLET	0.15 Mètre
RB6530	0UN008	TUBE PTFE CAFE	PTFE PIPE COFFEE	4
RB8000		CABLE PLAT CAPOT	FLAT CABLE TRAPDOOR	1
RR38		JOINT TORIQUE	O-RING	6

**PIECES DETACHEES SPECIFIQUES AU GROUPE ESE RB1037**

30-01-001-KP		TETE D'ENTREE	WHOLE HEAD INLET	1
30-01-004-KP		TETE DE SORTIE	WHOLE HEAD OUTLET	1
30-01-014-KP		ENSEMBLE PISTON/CYLINDRE	PISTON / CYLINDER FULL	1
30-01-016		ETRIER	BRACKET	2
30-01-019		CLIPS	CLIPS	6
30-02-016		ENTRETOISE	BRACE	2
30-08-008		JOINT SILICONE	SILICONE O-RING	10
30-08-010		JOINT SILICONE R6	SILICONE GASKET R6	2
30-09-001-K135		TUBE CAFE	COFFEE PIPE WITH FITTING	1
30-09-001-K210		TUBE VERIN	JACK PIPE WITH FITTING	1
35-10-001		RESSORT EJECTEUR	EJECTOR SPRING	4

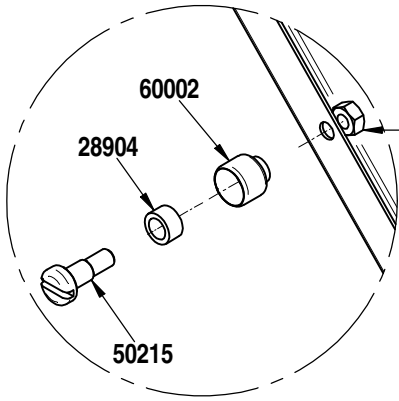
**PIECES DETACHEES SPECIFIQUES AU GROUPE ESE RB1137**

30-01-014-KP		ENSEMBLE PISTON/CYLINDRE	PISTON / CYLINDER FULL	1
30-01-019		CLIPS	CLIPS	6
30-08-008		JOINT SILICONE	SILICONE O-RING	10
30-09-001-K155		TUBE CAFE	COFFEE PIPE WITH FITTING	1
30-09-001-K210		TUBE VERIN	JACK PIPE WITH FITTING	1
30-10-010		GOUILLE INOX POUR Ø4	Ø4 PIN	2
35-01-010-K		ASSEMBLAGE ETRIER FAP	FAP BRACKET ASSEMBLY	2
35-01-004-K1		ASSEMBLAGE TETE ENTREE FAP	FAP INLET HEAD ASSEMBLY	1
35-03-002-K1		ASSEMBLAGE TETE SORTIE FAP	FAP OUTLET HEAD ASSEMBLY	1
35-10-001		RESSORT EJECTEUR	EJECTOR SPRING	4
35-11-002		ANNEAU Ø10	Ø10 RING	1

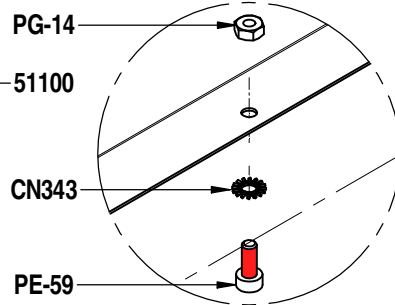
## PLANCHE - PLATE 110

<b>REF</b>	<b>ELUX</b>	<b>DESIGNATIONS FR</b>	<b>DESIGNATIONS GB</b>
28904		RESSORT ELASTOMERE	RUBBER SPRING
50125		VIS TB CRUCIFORME A EMBASE M4 x 8	CRUCIFORM SCREW M4 x 8
50215		VIS EPAULEE COTE	SIDE SCREW
51100		ECROU M5 INOX	NUT M5
60002		DOUILLE RESSORT ELASTOMERE	RUBBER SPRING SOCKET
CN-343		RONDELLE EVENTAIL 4	WASHER 4
DO-195		VIS ACIER INOX TC 4 X 12	SCREW M4 X 12
FR4056		VIS SPECIAL COTE	SIDE SCREW
PE-59		VIS TCHC M4x10 INOX	SCREW 4 X 10
PG-14		ECROU M4	NUT M4
RB1410		COTE GAUCHE MIRA HAUTE MONTE	COMPLET LEFT SIDE HIGH MIRA
RB1411		COTE DROITE MIRA HAUTE MONTE	COMPLET RIGHT SIDE HIGH MIRA
RB3007		PLEXI COTE GAUCHE	LEFT SIDE PLEXIGLASS
RB3008		PLEXI COTE DROIT	RIGHT SIDE PLEXIGLASS
RB3009		COTE GAUCHE SCOTCH BRITE HAUT	LEFT SIDE HIGH
RB3010		COTE DROIT SCOTCH BRITE HAUT	RIGHT SIDE HIGH
RB3026		CHAUFFE TASSE 1GR	1 UNIT CUP WARMER
RB3027		CHAUFFE TASSE 2GR	2 UNITS CUP WARMER
RB3028		VERRIERE L300	CUP RACK
RB3042		CHEMISE ARRIERE	REAR CASING
RB3083		ENJOLIVEUR BASSINE GAUCHE PONY 2-4	ORNAMENTAL LEFT
RB3084		ENJOLIVEUR BASSINE DROIT PONY 2-4	ORNAMENTAL RIGHT

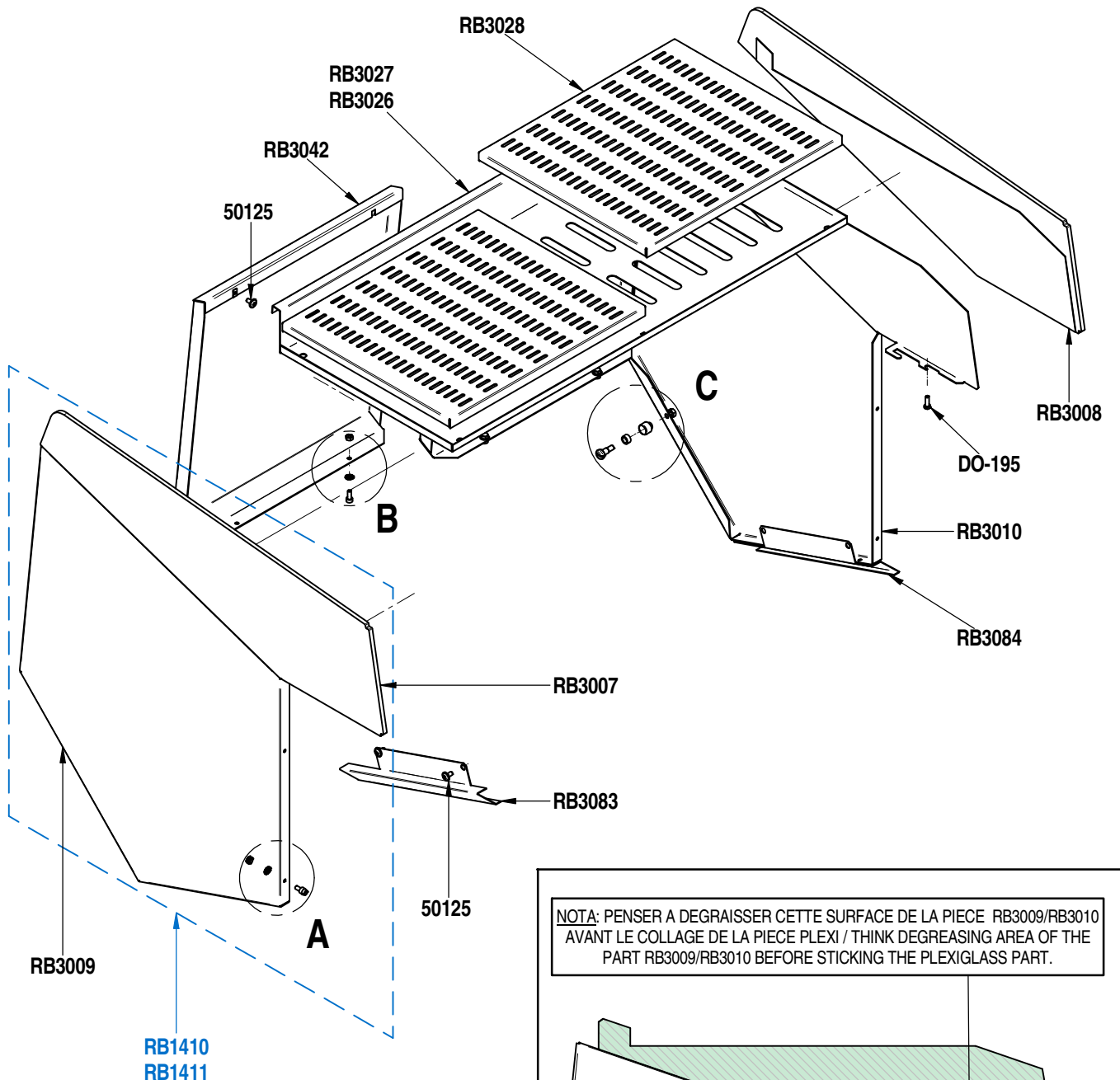
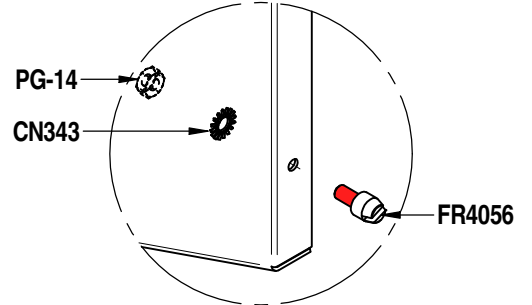
### DETAIL C



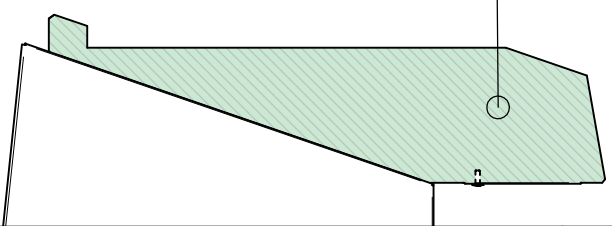
### DETAIL B



### DETAIL A



NOTA: PENSER A DEGRAISSER CETTE SURFACE DE LA PIECE RB3009/RB3010 AVANT LE COLLAGE DE LA PIECE PLEXI / THINK DEGREASING AREA OF THE PART RB3009/RB3010 BEFORE STICKING THE PLEXIGLASS PART.

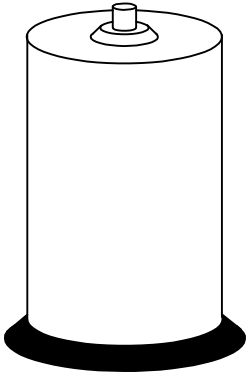


 Loctite 262

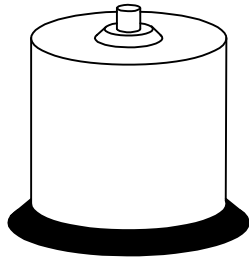
## PLANCHE - PLATE 111

REF	ELUX	DESIGNATIONS FR	DESIGNATIONS GB
45939		ADHESIF PIED MACHINE	STICKER FOOT
50204		VIS TH M5 x 10 INOX	SCREW M5 X 10
50402		VIS TCHC TETE BASSE M8X16 INOX	S.STEEL SCREW M8 X 16
51100		ECROU M5 INOX	NUT M5
51150		ECROU NYLSTOP M6	NUT NYLSTOP M6
DV4030		PIED ALU H30	FOOT H30
NM-002		PIED CAOUTCHOUC NOIR	FOOT
NM1068		KIT 4 PIEDS ALU H30	HIGH FEET KIT
NM1069		KIT 4 PIEDS ALU H44,5	HIGH FEET KIT
NM1076		KIT 4 PIEDS ALU H74,5	HIGH FEET KIT
NM-176		PIED ALU POUR MACHINE NSF	FOOT FOR NSF MACHINE
NM-236		PIED ALU D50 H44.5	FOOT H44.5
NZ7024		PATIN PIED ARRIERE	REAR RUBBER FOOT
RB1451		KIT CHARIOT BASSINE 1GR	TROLLEY OVERFLOW TRAY KIT FOR 1 UNIT
RB1452		KIT CHARIOT BASSINE 2GR	TROLLEY OVERFLOW TRAY KIT FOR 2 UNITS
RB3031		DEVANT DE BASSINE 1GR	OVERFLOW TRAY FRONT 1GR
RB3032		DEVANT DE BASSINE 2GR	OVERFLOW TRAY FRONT 2GR
RB3051		BASSINE 1GR	1 UNIT OVERFLOW TRAY
RB3052		BASSINE 2GR	2 UNITS OVERFLOW TRAY
RB3061	OUN147	GRILLE DE BASSINE 1GR	1 UNIT OVERFLOW TRAY GRID
RB3062		GRILLE DE BASSINE 2GR	2 UNITS OVERFLOW TRAY GRID
RB4002		RONDELLE EPAULEE	WASHER
TG2004		RONDELLE TOLE	SHEET METAL WASHER
TG4000		ENJOLIVEUR JOUE DE BASSINE G	LEFT ORNAMENTAL OVERFLOW TRAY
TG4002		ENJOLIVEUR JOUE DE BASSINE D	RIGHT ORNAMENTAL OVERFLOW TRAY
TG4005		AXE JOUE DE BASSINE	AXLE
TG4006		BAGUE EPAULEE	PLASTIC RING
TG7000		JOUE DE BASSINE GAUCHE	LEFT ORNAMENTAL HOLDER
TG7002		JOUE DE BASSINE DROITE	RIGHT ORNAMENTAL HOLDER

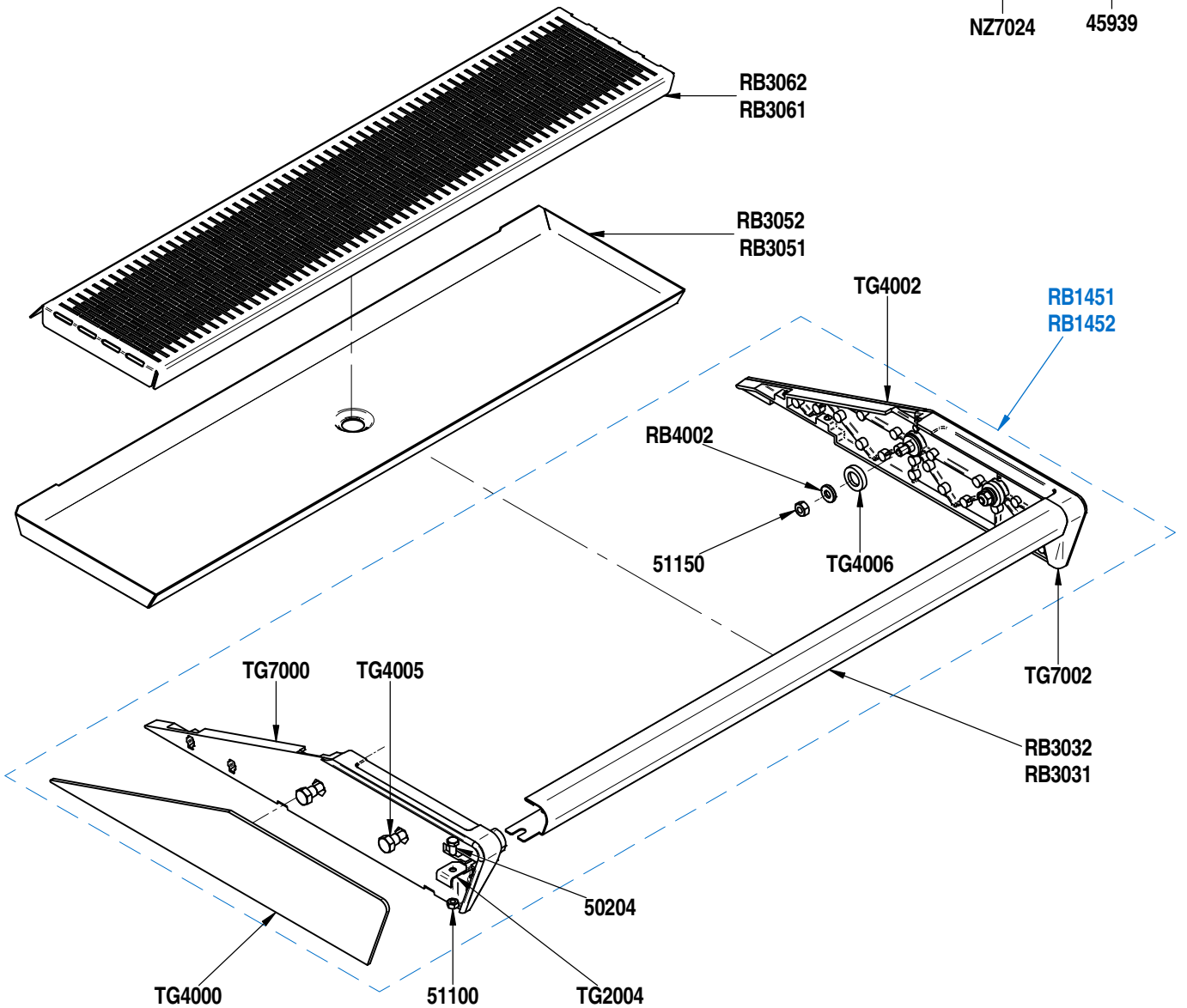
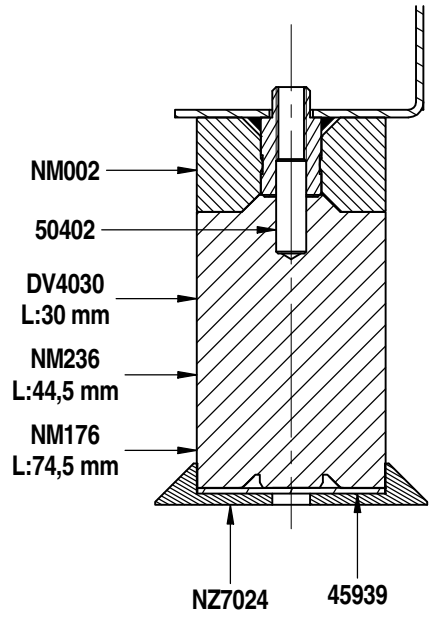
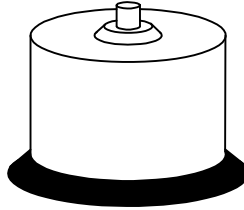
**KIT PIED ALU H74.5**  
REF: NM1076



**KIT PIED ALU H44.5**  
REF: NM1069



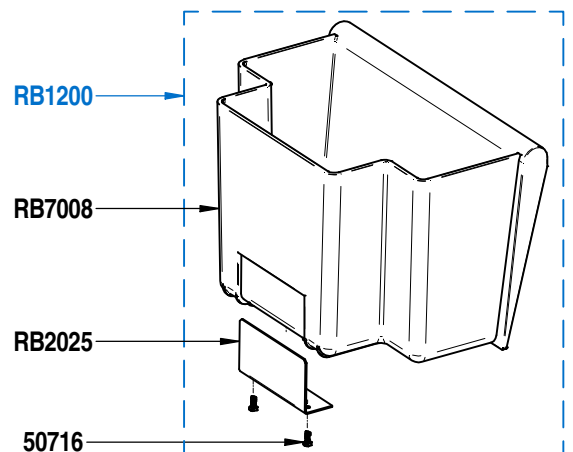
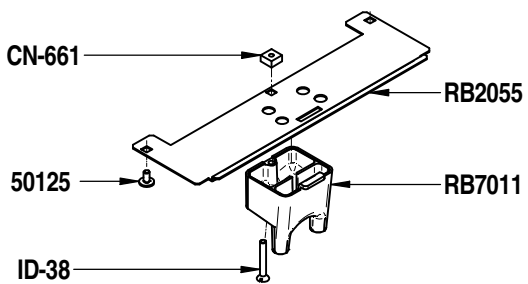
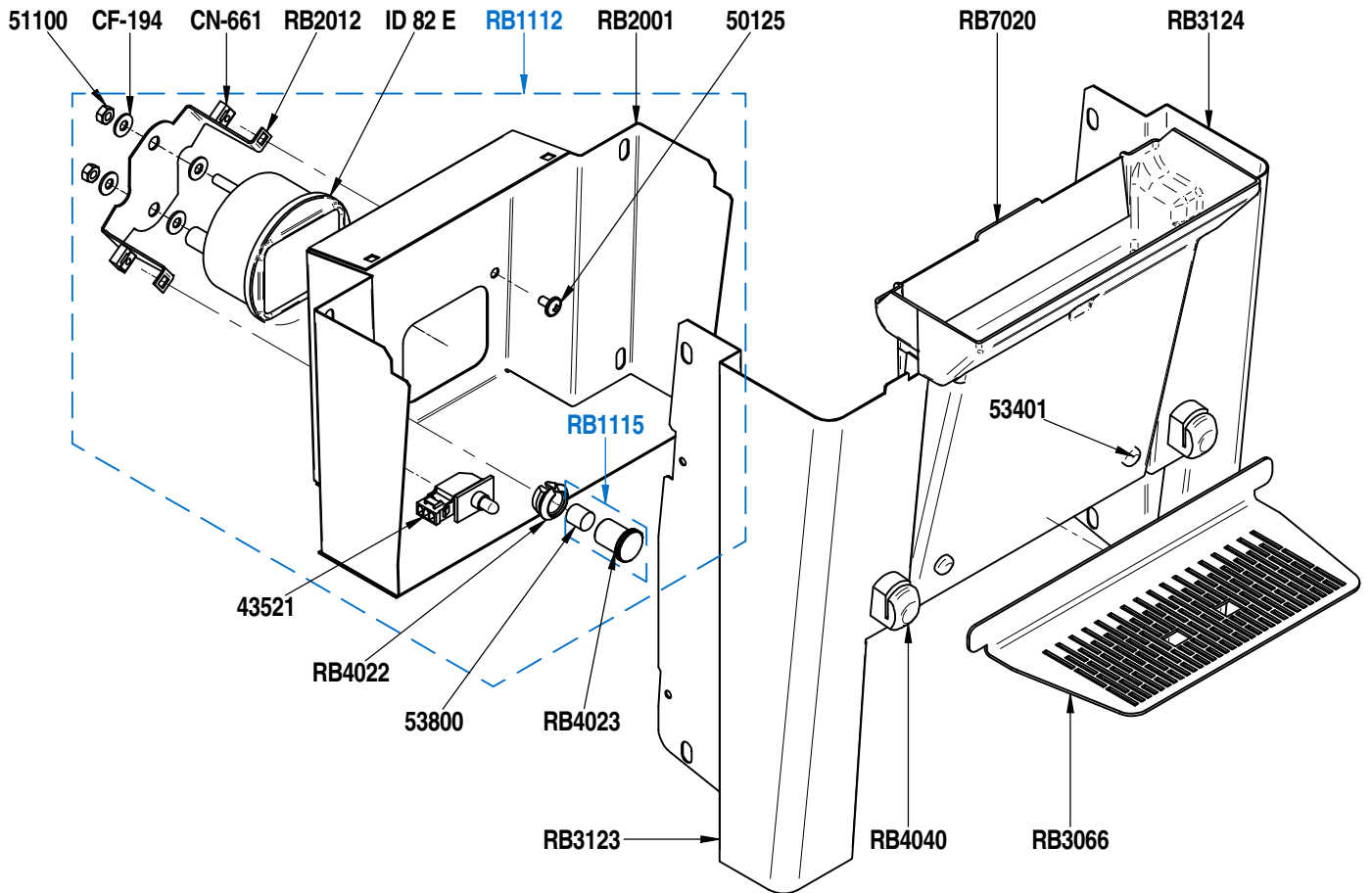
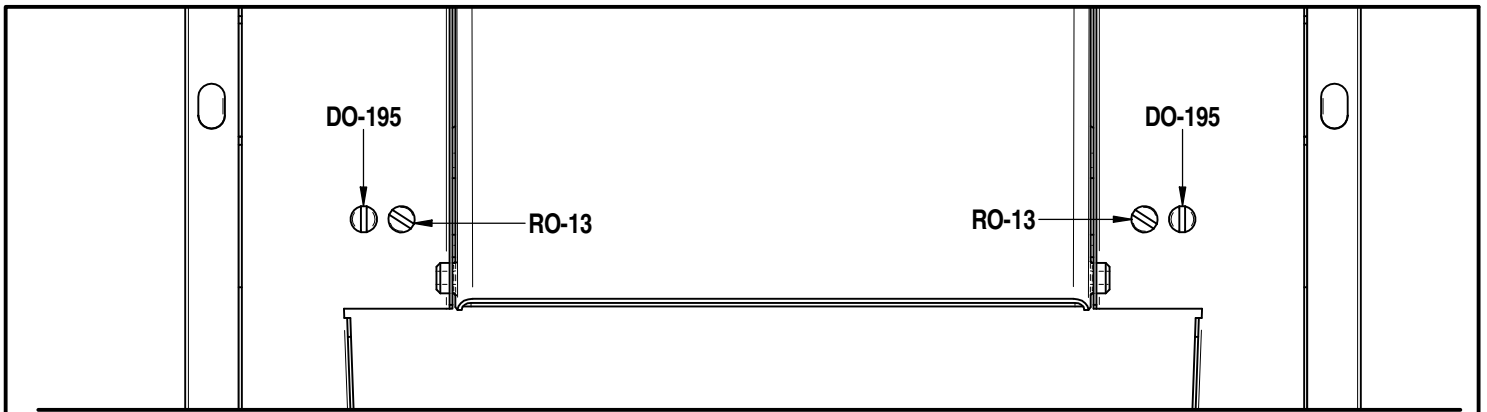
**KIT PIED ALU H30**  
REF: NM1068



## PLANCHE - PLATE 112

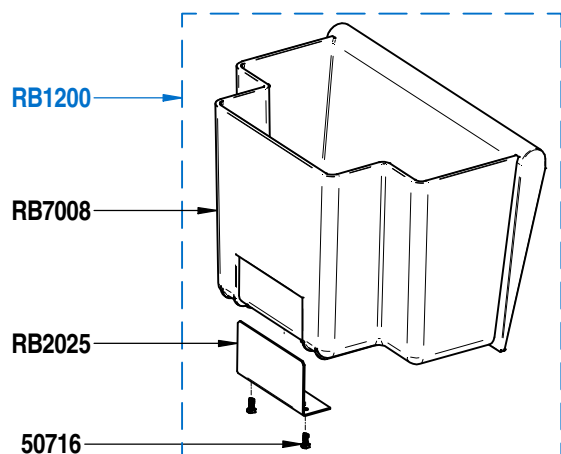
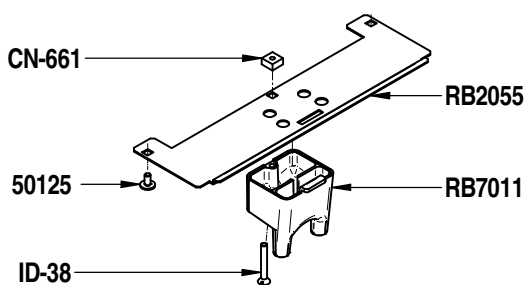
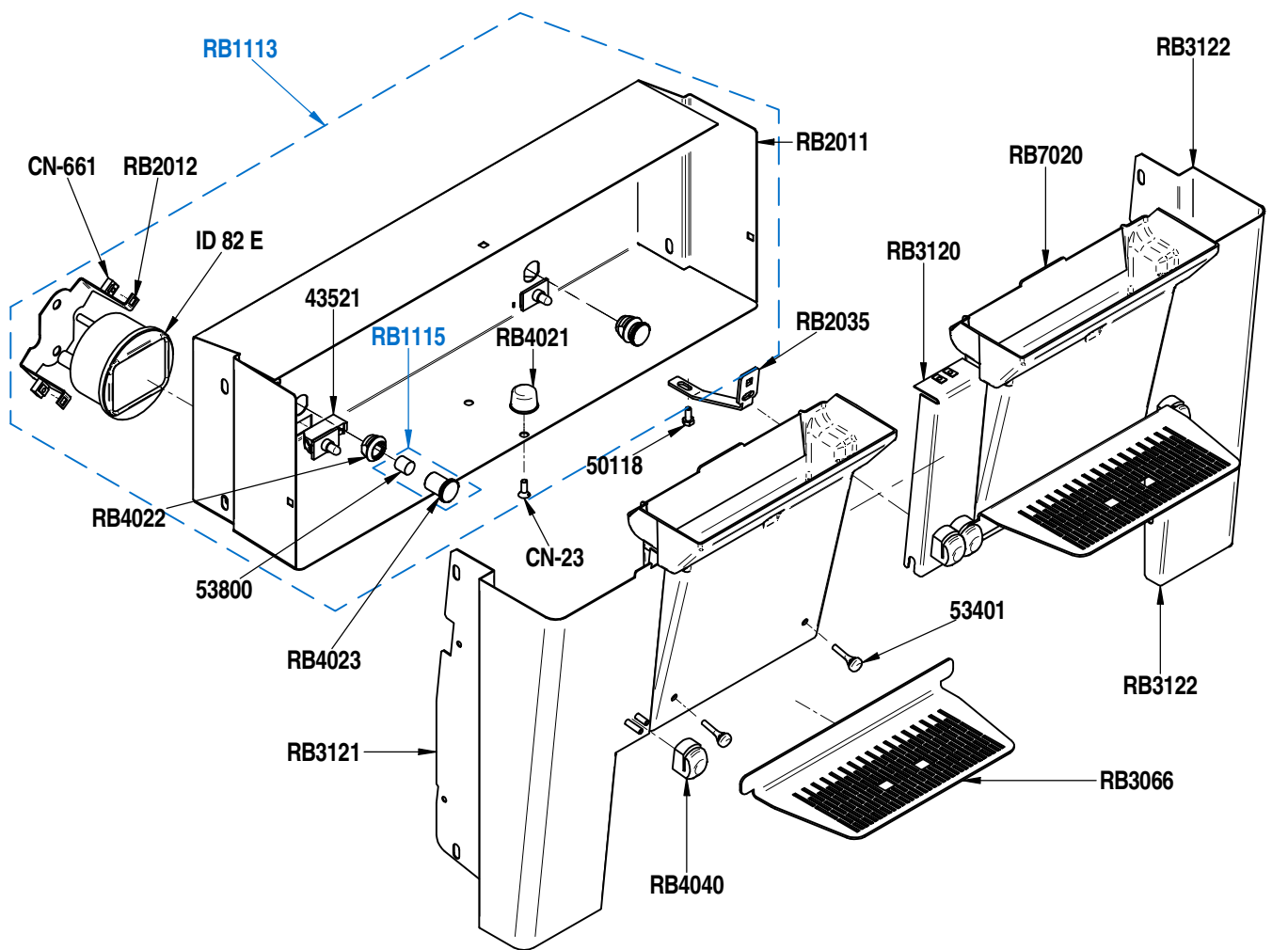
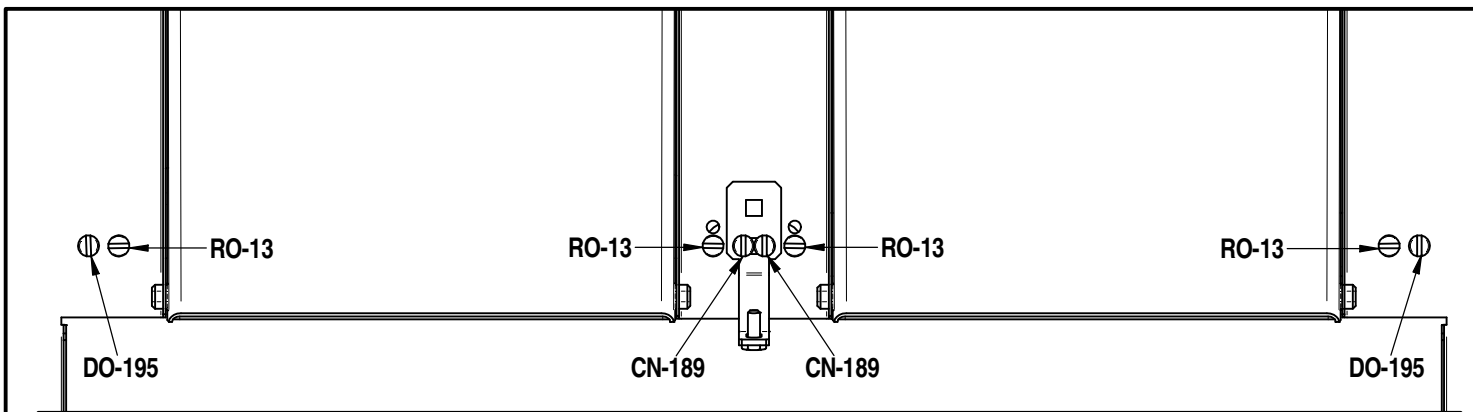
<b>REF</b>	<b>ELUX</b>	<b>DESIGNATIONS FR</b>	<b>DESIGNATIONS GB</b>
43521		MICRO SWITCH SECURITE TIROIR	<i>DRAWER SECURITY MICRO SWITCH</i>
50125		VIS TB CRUCIFORME A EMBASE M4 x 8	<i>CRUCIFORM SCREW M4 x 8</i>
50716		VIS TCBZ 3X8	<i>SCREW TCBZ 3X8</i>
53401		PICOT PLASTIQUE SOUPLE	<i>PLASTIC SPROCKET</i>
51100		ECROU M5 INOX	<i>NUT M5</i>
53800		AIMANT DIAM. 10 X 10	<i>MAGNET 10 X 10</i>
CF-194		RONDELLE LAITON DE 5 MOYENNE	<i>WASHER</i>
CN-661		ECROU CAGE M4, EP 1/1.6	<i>INSERT NUT M4</i>
DO-195		VIS ACIER INOX TC 4 X 12	<i>SCREW M4 X 12</i>
ID-38		VIS INOX TF 4 x 30	<i>SCREW M4 X 30</i>
ID-82E	0UN101	MANOMETRE DOUBLE 3,5 x 20 B.	<i>MANOMETER</i>
RB1112		ENSEMBLE TOLE PROTECTION PONY 2	<i>SHEET METAL PROTECTION SET PONY 2</i>
RB1115		ENSEMBLE PORTE AIMANT TIROIR	<i>DRAWER MAGNET SET</i>
RB1200		KIT TIROIR A DOSETTES	<i>POD CONTAINER KIT</i>
RB2012		CLOCHE MANOMETRE	<i>BELL PRESSURE GAUGE</i>
RB2025		PLAQUE AIMANT	<i>MAGNET PLATE</i>
RB2055		TRAPPE CAISSON CALANDRE	<i>HATCH CASING</i>
RB3066		GRILLE SUSPENDUE	<i>SUSPENDED GRID</i>
RB3123		DEVANT GAUCHE PONY 2	<i>LEFT FRONT</i>
RB3124		DEVANT DROIT PONY 2	<i>RIGHT FRONT</i>
RB4022		BAGUE REGLAGE AIMANT	<i>RING SETTING MAGNET</i>
RB4023		PORTE AIMANT FILETE	<i>HOLDER MAGNET THREADED</i>
RB4040		SUPPORT TABLETTE	<i>SHELF HOLDER</i>
RB7008		BAC A CAPSULE	<i>CAPSULE CONTAINER</i>
RB7011		BEC SEPARATEUR REPATITEUR ESE	<i>ESE SPOUT</i>
RB7020		GOULOTTE PONY 2,4	<i>CHUTE FOR PONY 2,4</i>
RO-13		VIS INOX TC 4 x 10	<i>SCREW M4 X 10 -</i>





## PLANCHE - PLATE 113

<b>REF</b>	<b>ELUX</b>	<b>DESIGNATIONS FR</b>	<b>DESIGNATIONS GB</b>
43521		MICRO SWITCH SECURITE TIROIR	<i>DRAWER SECURITY MICRO SWITCH</i>
50125		VIS TB CRUCIFORME A EMBASE M4 x 8	<i>CRUCIFORM SCREW M4 x 8</i>
50716		VIS TCBZ 3X8	<i>SCREW TCBZ 3X8</i>
53401		PICOT PLASTIQUE SOUPLE	<i>PLASTIC SPROCKET</i>
53800		AIMANT DIAM. 10 X 10	<i>MAGNET 10 X 10</i>
CN-189		VIS TC M4 X 16 INOX	<i>SCREW M4 X 16</i>
CN-23		VIS INOX TF 4 x 12	<i>SCREW M4X12 CSH</i>
CN-661		ECROU CAGE M4, EP 1/1.6	<i>INSERT NUT M4</i>
DO-195		VIS ACIER INOX TC 4 X 12	<i>SCREW M4 X 12</i>
DV-44		VIS TH M4X10 ACIER	<i>SCREW M4x10</i>
ID-38		VIS INOX TF 4 x 30	<i>SCREW M4 X 30</i>
ID-82E	0UN101	MANOMETRE DOUBLE 3,5 x 20 B.	<i>MANOMETER</i>
RB1113		ENSEMBLE TOLE PROTECTION PONY 4	<i>SHEET METAL PROTECTION SET PONY 4</i>
RB1115		ENSEMBLE PORTE AIMANT TIROIR	<i>DRAWER MAGNET SET</i>
RB1200		KIT TIROIR A DOSETTES	<i>POD CONTAINER KIT</i>
RB2011		TOLE PROTECTION 2GR	<i>SHEET METAL OF 2 UNITS PROTECTION</i>
RB2012		CLOCHE MANOMETRE	<i>BELL PRESSURE GAUGE</i>
RB2025		PLAQUE AIMANT	<i>MAGNET PLATE</i>
RB2035		RENFORT DEVANT 2GR	<i>2 UNITS FRONT DOUBLER</i>
RB2055		TRAPPE CAISSON CALANDRE	<i>HATCH CASING</i>
RB3066		GRILLE SUSPENDUE	<i>SUSPENDEED GRID</i>
RB3120		TOLE CENTRALE	<i>CENTRAL FRONT</i>
RB3121		DEVANT GAUCHE	<i>LEFT FRONT</i>
RB3122		DEVANT DROIT	<i>RIGHT FRONT</i>
RB4022		BAGUE REGLAGE AIMANT	<i>RING SETTING MAGNET</i>
RB4023		PORTE AIMANT FILETE	<i>HOLDER MAGNET THREADED</i>
RB4040		SUPPORT TABLETTE	<i>SHELF HOLDER</i>
RB7008		BAC A CAPSULE	<i>CAPSULE CONTAINER</i>
RB7011		BEC SEPARATEUR REPATITEUR ESE	<i>ESE SPOUT</i>
RB7020		GOULOTTE PONY 2,4	<i>CHUTE FOR PONY 2,4</i>
RO-13		VIS INOX TC 4 x 10	<i>SCREW M4 X 10 -</i>

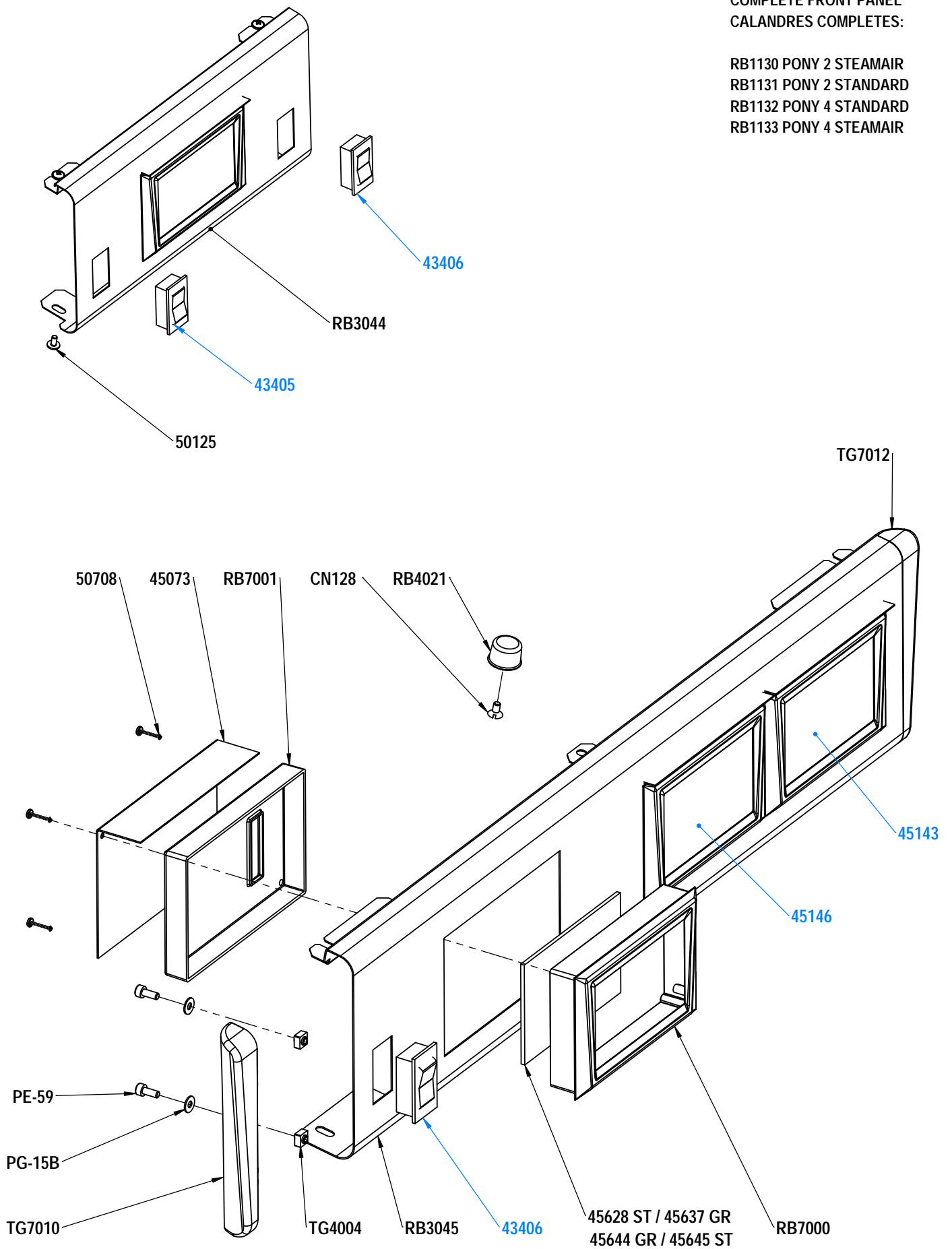


## PLANCHE - PLATE 120

<b>REF</b>	<b>ELUX</b>	<b>DESIGNATIONS FR</b>	<b>DESIGNATIONS GB</b>
43405	0UN068	INTERRUPTEUR EAU CHAUDE	HOT WATER SWITCH
43406	0UN116	INTERRUPTEUR VAPEUR	STEAM SWITCH
45073		PROTECTION BOITIER	BOX PROTECTION
45143	0UN059	BOITIER ELECTRONIQUE STEAMAIR	ELECTRONIC BOX
45146		BOITIER CLAVIER GROUPE TACTILE PONY 2,4	ELECTRONIC BOX
45628		LEGENDE CLAVIER STEAMAIR	STEAMAIR KEYBOARD PICTURE
45637		LEGENDE CLAVIER	KEYBOARD PICTURE
45644		LEGENDE CLAVIER SANS LOGO	KEYBOARD PICTURE
45645		LEGENDE CLAVIER STEAMAIR SANS LOGO	KEYBOARD PICTURE
50125		VIS TB CRUCIFORME A EMBASE M4 x 8	CRUCIFORM SCREW M4 x 8
50708		VIS AUTOFORMEUSE 3X14	SCREW 3X14
CN-128		VIS INOX TF M4 X 8	SCREW M4 X 8
PE-59		VIS TCHC M4x10 INOX	SCREW 4 X 10
PG-15B		RONDELLE INOX 4.2X10X0.8	WASHER
RB1130		CALANDRE PONY 2 STEAMAIR	PONY 2 FRONT PANEL STEAMAIR
RB1131		CALANDRE PONY 2	PONY 2 FRONT PANEL
RB1132		CALANDRE PONY 4	PONY 4 FRONT PANEL
RB1133		CALANDRE PONY 4 STEAMAIR	PONY 4 FRONT PANEL STEAMAIR
RB3044		CALANDRE 1GR	1 UNIT FRONT PANEL
RB3045		CALANDRE 2GR	2 UNITS FRONT PANEL
RB4021		BUTEE TIROIR TWIN ESE	STOP DRAWER ESE
RB7000		BOITIER ECRAN PONY 2,4	ELECTRONIC BOX
RB7001		COUVERCLE BOITIER ECRAN	COVER SCREEN BOX
TG4004		ECROU INSERT	INSERT NUT
TG7010		OREILLE GAUCHE	LEFT ORNAMENTAL FRONT PANEL
TG7012		OREILLE DROITE	BLACK RIGHT ORNAMENTAL FRONT PANEL

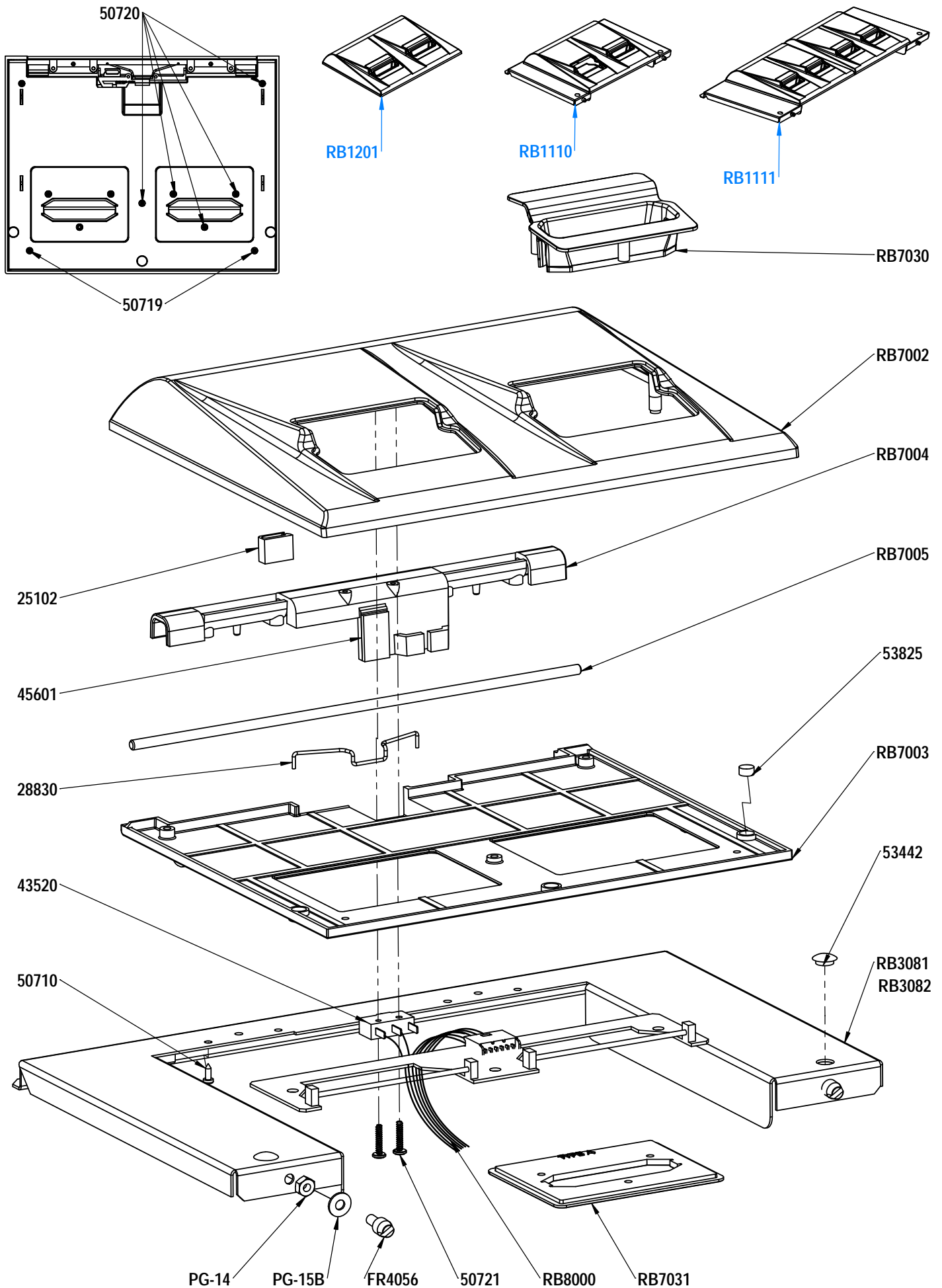
COMPLETE FRONT PANEL  
CALANDRES COMPLETES:

RB1130 PONY 2 STEAMAIR  
RB1131 PONY 2 STANDARD  
RB1132 PONY 4 STANDARD  
RB1133 PONY 4 STEAMAIR



## PLANCHE - PLATE 125

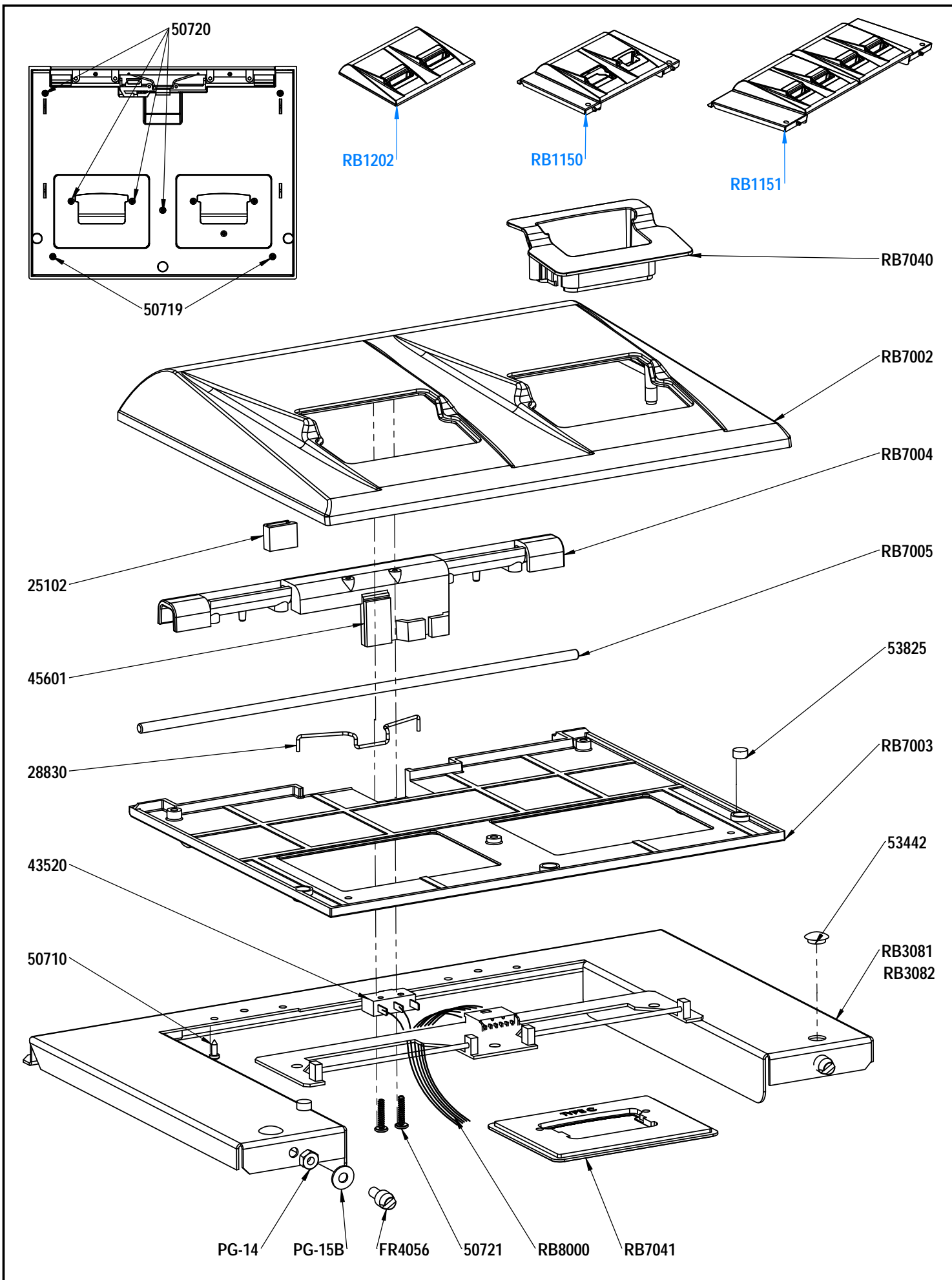
<b>REF</b>	<b>ELUX</b>	<b>DESIGNATIONS FR</b>	<b>DESIGNATIONS GB</b>
25102		CLIP SERRE CABLE AUTO-ADHESIF	SPACER
28830		RESSORT SECURITE	SECURITY SPRING
43520		SWITCH DE SECURITE CAPOT	TRAPDOOR SECURITY SWITCH
45312		CELLULE PHOTO POUR DETECTION CAPSULE	PHOTOELECTRIC CIRCUIT
45601		AUTOCOLLANT SWITCH SECURITE	STICKER
50710		VIS TC CRUCIFORME N°2.9 X 6.4	SCREW N°2.9 X 6.4
50719		VIS PLASTIC TF PZDR 2.5x8	PLASTIC SCREW 2.5x8
50720		VIS PLASTIC TF PZDR 2.5x10	PLASTIC SCREW 2.5x10
50721		VIS PLASTIC TB PZDR 2.5x12	PLASTIC SCREW 2.5x12
53442		BOUCHON DIA 7.2	PLUG DIA 7.2
53825		AIMANT CYLINDRIQUE D6x4	CYLINDRIC MAGNET D6x4
FR4056		VIS SPECIAL COTE	SIDE SCREW
PG-14		ECROU M4	NUT M4
PG-15B		RONDELLE INOX 4.2X10X0.8	WASHER
RB1110		ENSEMBLE CAPOT SECURITE ESE PONY 2	WHOLE TRAPDOOR SECURITY PONY 2
RB1111		ENSEMBLE CAPOT SECURITE ESE PONY 4	WHOLE TRAPDOOR SECURITY PONY 4
RB1201		CAPOT SECURITE COMPLET ESE	WHOLE TRAPDOOR SECURITY
RB3081		TOLE CACHE GROUPE 1GR	1 UNIT GROUP COVER
RB3082		TOLE CACHE GROUPE 2GR	2 UNITS GROUP COVER
RB7002		CAPOT SECURITE	SECURITY HOOD
RB7003		COUVERCLE SECURITE	SECURITY COVER
RB7004		CHARNIERE SECURITE	SECURITY HINGE
RB7005		AXE POUR CHARNIERE	AXLE FOR HINGE
RB7030		INSERT ESE	INSERT ESE
RB7031		INSERT COUVERCLE ESE	INSERT COVER ESE
RB8000		CABLE PLAT CAPOT	FLAT CABLE TRAPDOOR



## PLANCHE - PLATE 126

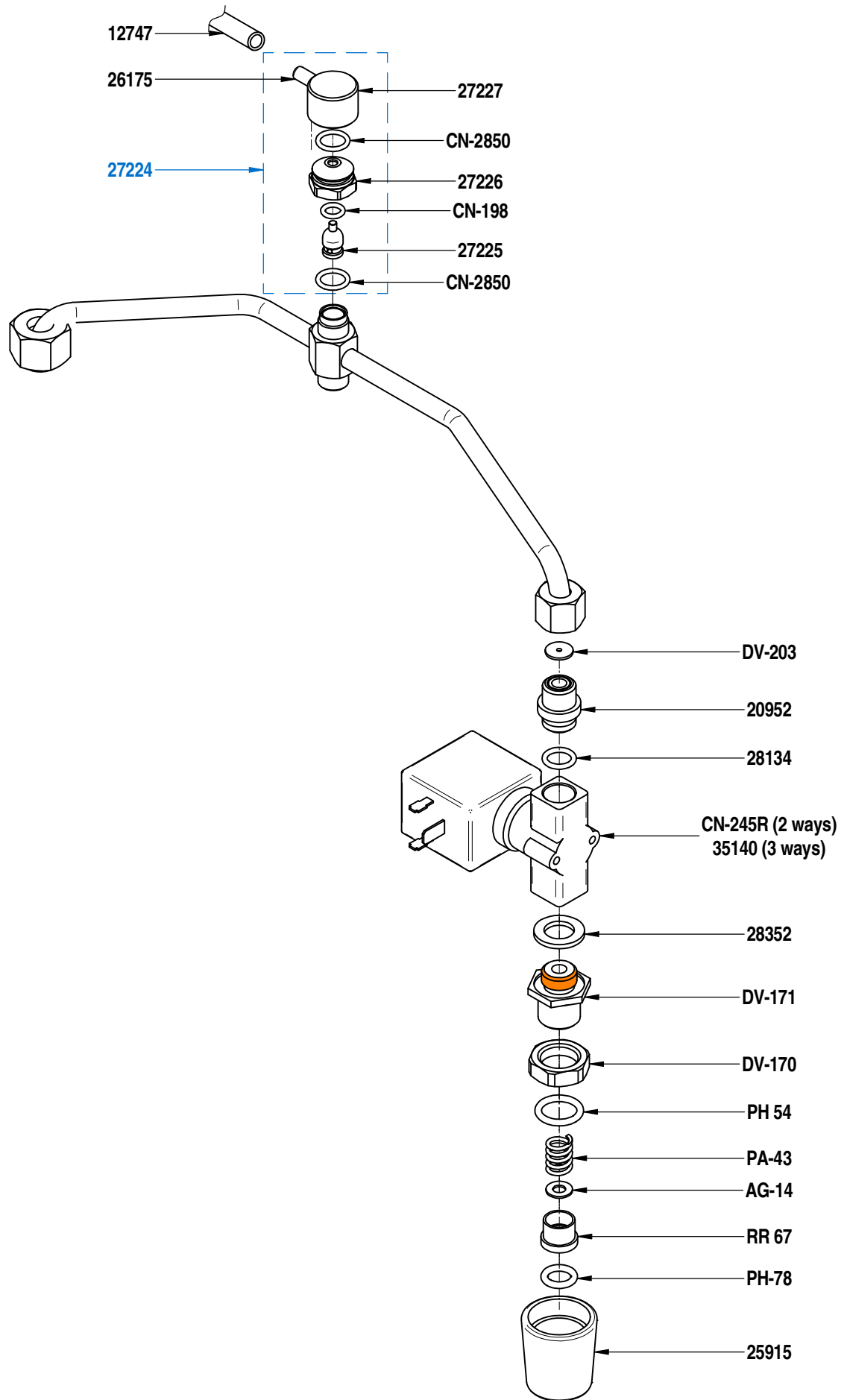
<b>REF</b>	<b>ELUX</b>	<b>DESIGNATIONS FR</b>	<b>DESIGNATIONS GB</b>
25102		CLIP SERRE CABLE AUTO-ADHESIF	SPACER
28830		RESSORT SECURITE	SECURITY SPRING
43520		SWITCH DE SECURITE CAPOT	TRAPDOOR SECURITY SWITCH
45312		CELLULE PHOTO POUR DETECTION CAPSULE	PHOTOELECTRIC CIRCUIT
45601		AUTOCOLLANT SWITCH SECURITE	STICKER
50710		VIS TC CRUCIFORME N°2.9 X 6.4	SCREW N°2.9 X 6.4
50719		VIS PLASTIC TF PZDR 2.5x8	PLASTIC SCREW 2.5x8
50720		VIS PLASTIC TF PZDR 2.5x10	PLASTIC SCREW 2.5x10
50721		VIS PLASTIC TB PZDR 2.5x12	PLASTIC SCREW 2.5x12
53442		BOUCHON DIA 7.2	PLUG DIA 7.2
53825		AIMANT CYLINDRIQUE D6x4	CYLINDRIC MAGNET D6x4
FR4056		VIS SPECIAL COTE	SIDE SCREW
PG-14		ECROU M4	NUT M4
PG-15B		RONDELLE INOX 4.2X10X0.8	WASHER
RB1150		ENSEMBLE CAPOT SECURITE FAP PONY 2	WHOLE TRAPDOOR SECURITY PONY 2
RB1151		ENSEMBLE CAPOT SECURITE FAP PONY 4	WHOLE TRAPDOOR SECURITY PONY 4
RB1202		CAPOT SECURITE COMPLET FAP	WHOLE TRAPDOOR SECURITY
RB3081		TOLE CACHE GROUPE 1GR	1 UNIT GROUP COVER
RB3082		TOLE CACHE GROUPE 2GR	2 UNITS GROUP COVER
RB7002		CAPOT SECURITE	SECURITY HOOD
RB7003		COUVERCLE SECURITE	SECURITY COVER
RB7004		CHARNIERE SECURITE	SECURITY HINGE
RB7005		AXE POUR CHARNIERE	AXLE FOR HINGE
RB7040		INSERT FAP	INSERT FAP
RB7041		INSERT COUVERCLE FAP	INSERT COVER FAP
RB8000		CABLE PLAT CAPOT	FLAT CABLE TRAPDOOR





## PLANCHE - PLATE 200

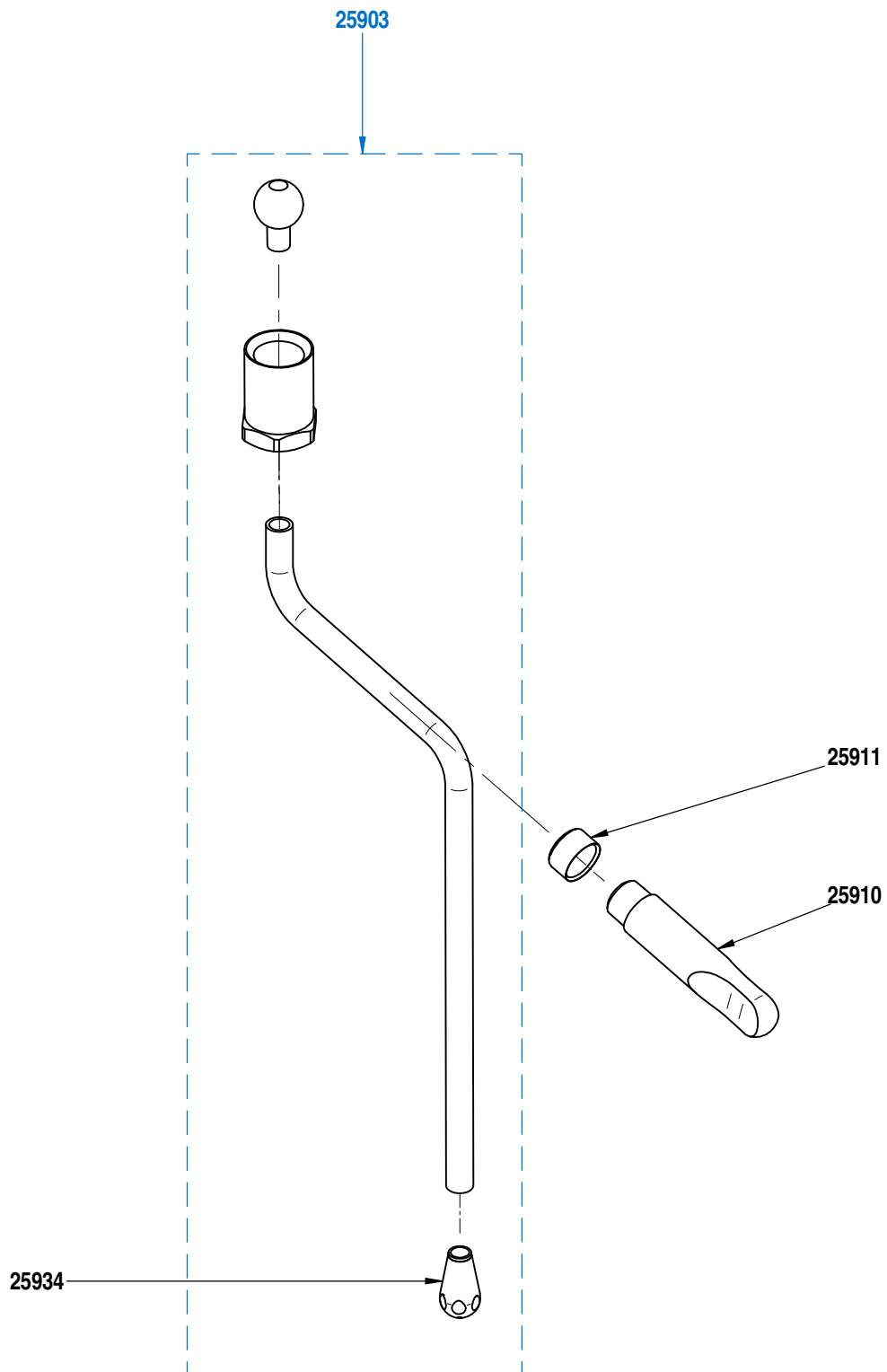
<b>REF</b>	<b>ELUX</b>	<b>DESIGNATIONS FR</b>	<b>DESIGNATIONS GB</b>
12747		TUBE SILICONE SOUPLE 4 - 7	<i>FLEXIBLE SILICONE PIPE 4 - 7</i>
20952		RACCORD 1/4 MALE	<i>FITTING 1/4 M</i>
25915		CACHE SORTIE EAU VAPEUR	<i>COVER OUTLET STEAM WATER</i>
26175		EMBOUT M6	<i>M6 NOZZLE</i>
27224		KIT VALVE DE PURGE	<i>VACCUM VALVE KIT</i>
27225		TIGE VALVE SPHERIQUE	<i>SPHERICAL ROD</i>
27226		ECROU VALVE DE PURGE	<i>VACCUM VALVE NUT</i>
27227		CABOCHON VALVE DE PURGE	<i>STOPPER PURGE VALVE</i>
28134	0UN019	JOINT TORIQUE 2X9,5 NEXUS	<i>O RING 2X9,5</i>
28352	0UN017	JOINT PLAT 20X12X2 EPDM 70SH	<i>GASKET 20X12X2</i>
35140		ELECTROVANNE 3/2 24V-50/60Hz	<i>ELECTROVALVE 3/2 24V-50/60</i>
AG-14		JOINT CUIVRE M12	<i>COPPER GASKET</i>
CN-198		JOINT TORIQUE 1,78X6,07 FKM	<i>GASKET - 6.07 x 1.78</i>
CN-245R		ELECTROVANNE 2V 24V-50/60Hz	<i>ELECTROVALVE 2W 24V-50/60Hz</i>
CN-2850		JOINT TORIQUE 1,78X10,82	<i>GASKET 10.82x1.78</i>
DV-170		ECROU CHROME	<i>NUT 3/8</i>
DV-171		RACCORD 3/8-1/4	<i>FITTING 3/8</i>
DV-203		JOINT PLAT CUIVRE 1/4 D:2mm	<i>WASHER 1/4 D:2</i>
PA-43		RESSORT F15/10 L14,5 D10,5 P3	<i>SPRING</i>
PH-54		JOINT TORIQUE 2,62X13,95 EPDM	<i>O RING - 13.95 x 2.62</i>
PH-78		JOINT TORIQUE 2,62X9,13 EPDM	<i>O RING - 9,13 X 2,62</i>
RR-67		EMBOUT LAITON	<i>BRASS END</i>



 Loctite 542

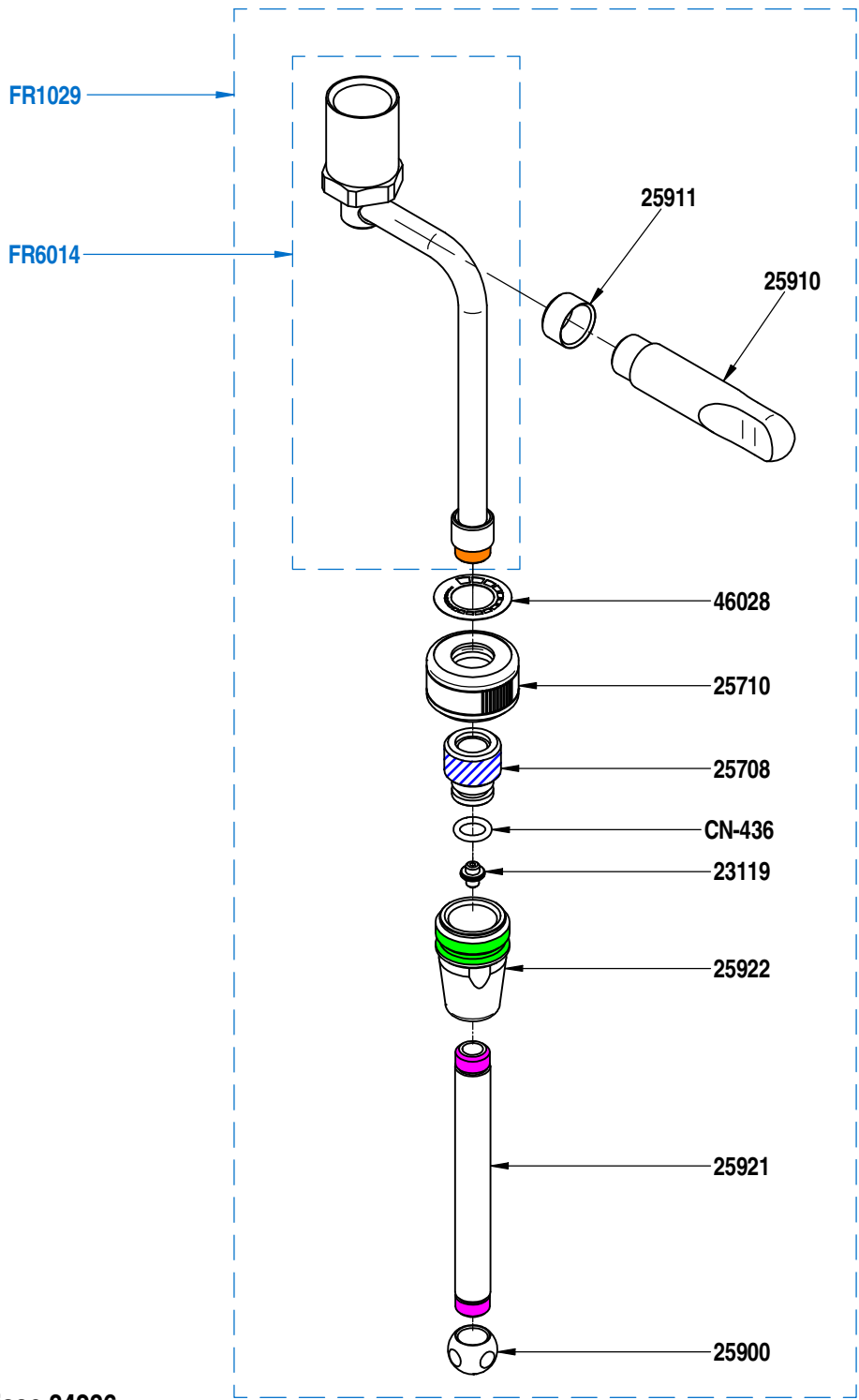
## PLANCHE - PLATE 212



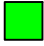
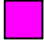
<b>REF</b>	<b>ELUX</b>	<b>DESIGNATIONS FR</b>	<b>DESIGNATIONS GB</b>
25903		SORTIE VAPEUR INOX V+	V+ STAINLESS STEEL STEAM OUTLET
25910		POIGNEE SORTIE EAU CHAUDE ET VAPEUR	HOT WATER AND STEAM OUTLET HANDLE
25911		BAGUE POUR POIGNEE EAU ET VAPEUR	WATER AND STEAM HANDLE COLLAR
25934		BRISE JET VAPEUR M6.75x0.75	BREEZE JET STEAM M6.75x0.75



## PLANCHE - PLATE 232

<b>REF</b>	<b>ELUX</b>	<b>DESIGNATIONS FR</b>	<b>DESIGNATIONS GB</b>
23119		GICLEUR DIAM:0,9	GICLUER DIAM. 0.9
25708		RACCORD SORTIE DEBIT REGLABLE	ADJUSTABLE OUTLET FITTING
25710		MOLETTE POUR SORTIE DEBIT REGLABLE	ADJUSTABLE OUTLET TOOTHED WHEEL
25900		BRISE JET BOULE POUR IRISH	ANTI PLASH BALL FOR IRISH
25910		POIGNEE SORTIE EAU CHAUDE ET VAPEUR	HOT WATER AND STEAM OUTLET HANDLE
25911		BAGUE POUR POIGNEE EAU ET VAPEUR	WATER AND STEAM HANDLE COLLAR
25921		RALLONGE SORTIE IRISH	IRISH OUTLET EXTENSION
25922		EMBOUT SORTIE IRISH DEBIT REGLABLE	ADJUSTABLE FLOW IRISH NOZZLE
46028		AUTOCOLLANT SORTIES REGLABLES	ADJUSTABLE OUTLET STICKER
CN-436		JOINT TORIQUE 1,78X8,73 EPDM	GASKET 8,73 X 1,78
FR1029		SORTIE VAPEUR REGLABLE	ADJUSTABLE STEAM OUTLET
FR6014		TUBE SORTIE VAPEUR PTFE	PTFE STEAM OUTLET PIPE



-  Graisse 84236
-  Loctite 542
-  Loctite 262
-  Loctite 222

## PLANCHE - PLATE 242

<b>REF</b>	<b>ELUX</b>	<b>DESIGNATIONS FR</b>	<b>DESIGNATIONS GB</b>
25904		RALLONGE SORTIE CAPPUCCINO	CAPPUCCINO OUTLET EXTENSION
25906		SUPPORT DE SONDE TANGO	TANGO PROBE SUPPORT
25907		TUBE PTFE STEAMAIR	PTFE STEAMAIR PIPE
25909		EMBOUT PTFE 12 TROUS	12 HOLES END PIPE
25945		TUBE SORTIE VAPEUR 90°	STEAM PIPE 90°
34406	OUN106	SONDE VAPEUR THERMOSTATEE V+	V+ THERMOSTATED STEAM PROBE
CN-436		JOINT TORIQUE 1,78X8,73 EPDM	GASKET 8,73 X 1,78
PC-38		VIS STHC M5X8 BOUT POINTU	POINT END SCREW
PH-78		JOINT TORIQUE 2,62X9,13 EPDM	O RING - 9,13 X 2,62
RB1138		SORTIE STEAMAIR	STEAMAIR OUTLET
RO-55		BARILLET	BARREL
RO-57		MELANGEUR EN LAITON	MIXER
RO-58		POUSSOIR A BILLE	THRUST BALL BEARING
RO-68		CACHE BARILLET	BARREL COVER



RB1138

25945

PC-38

34406

CN436

RO-58

RO-55

RO-57

RO-68

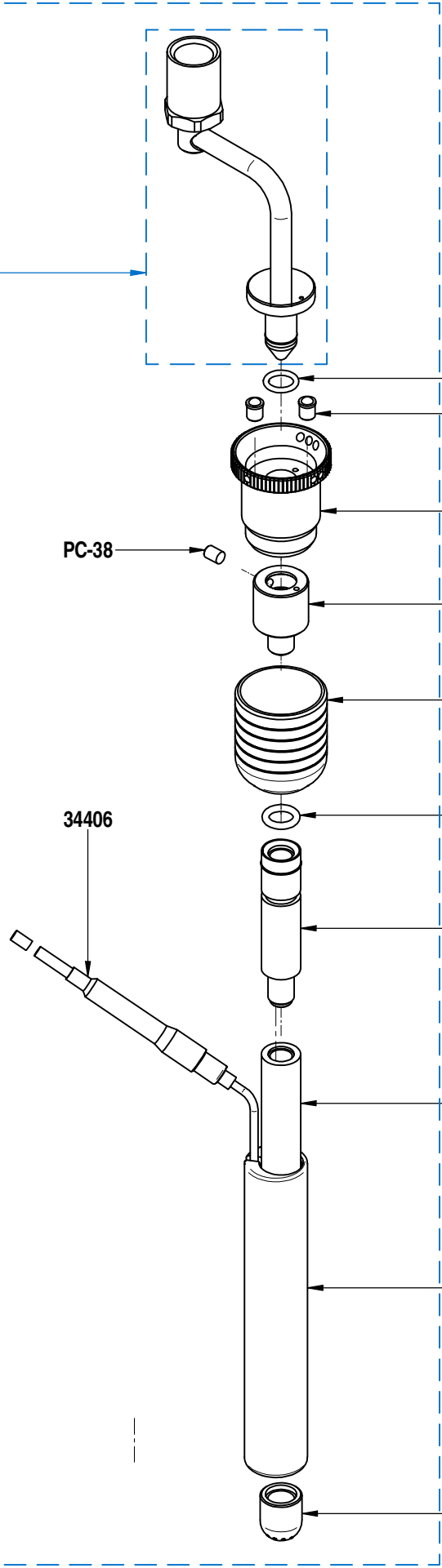
PH-78

25904

25907

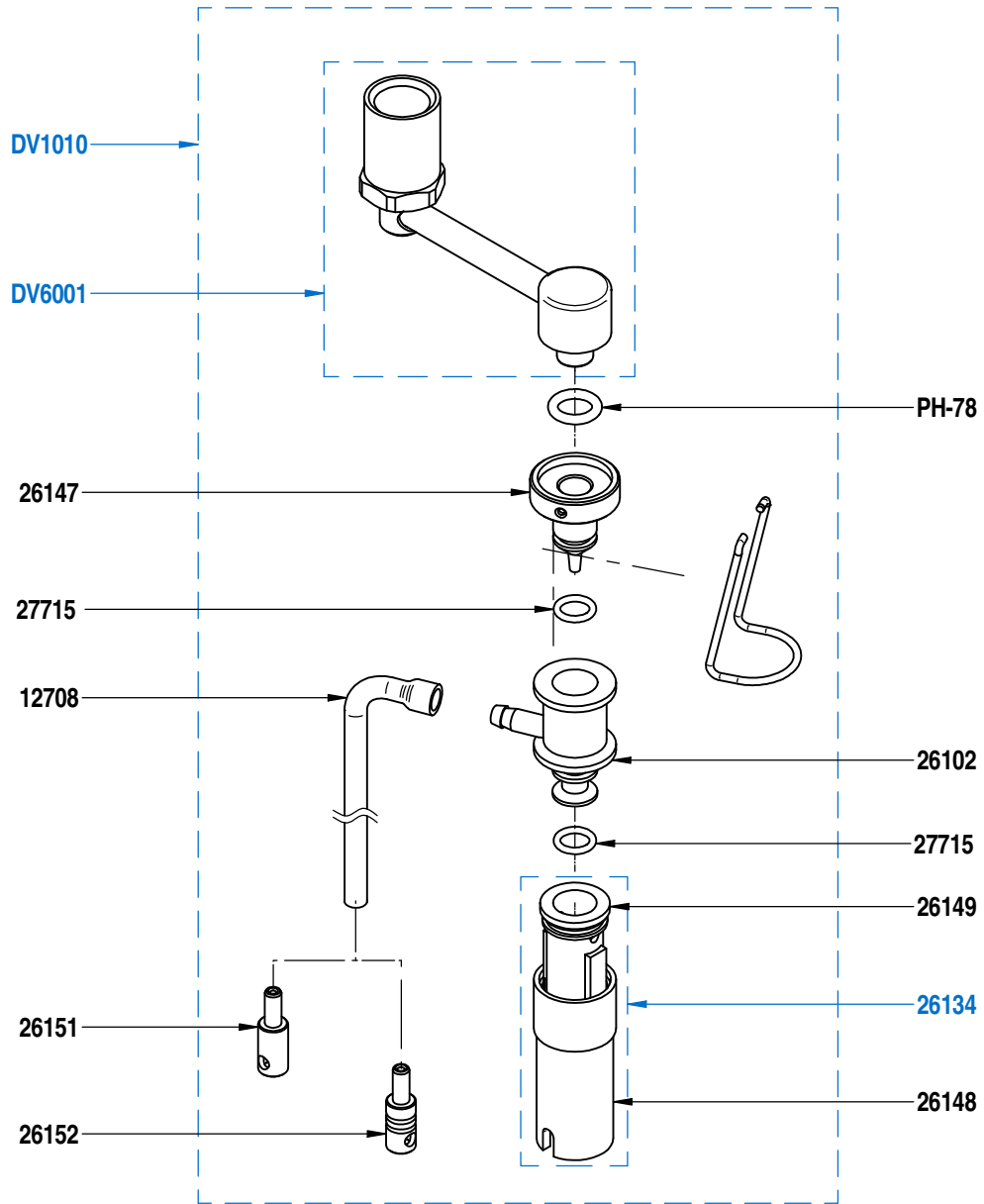
25906

25909



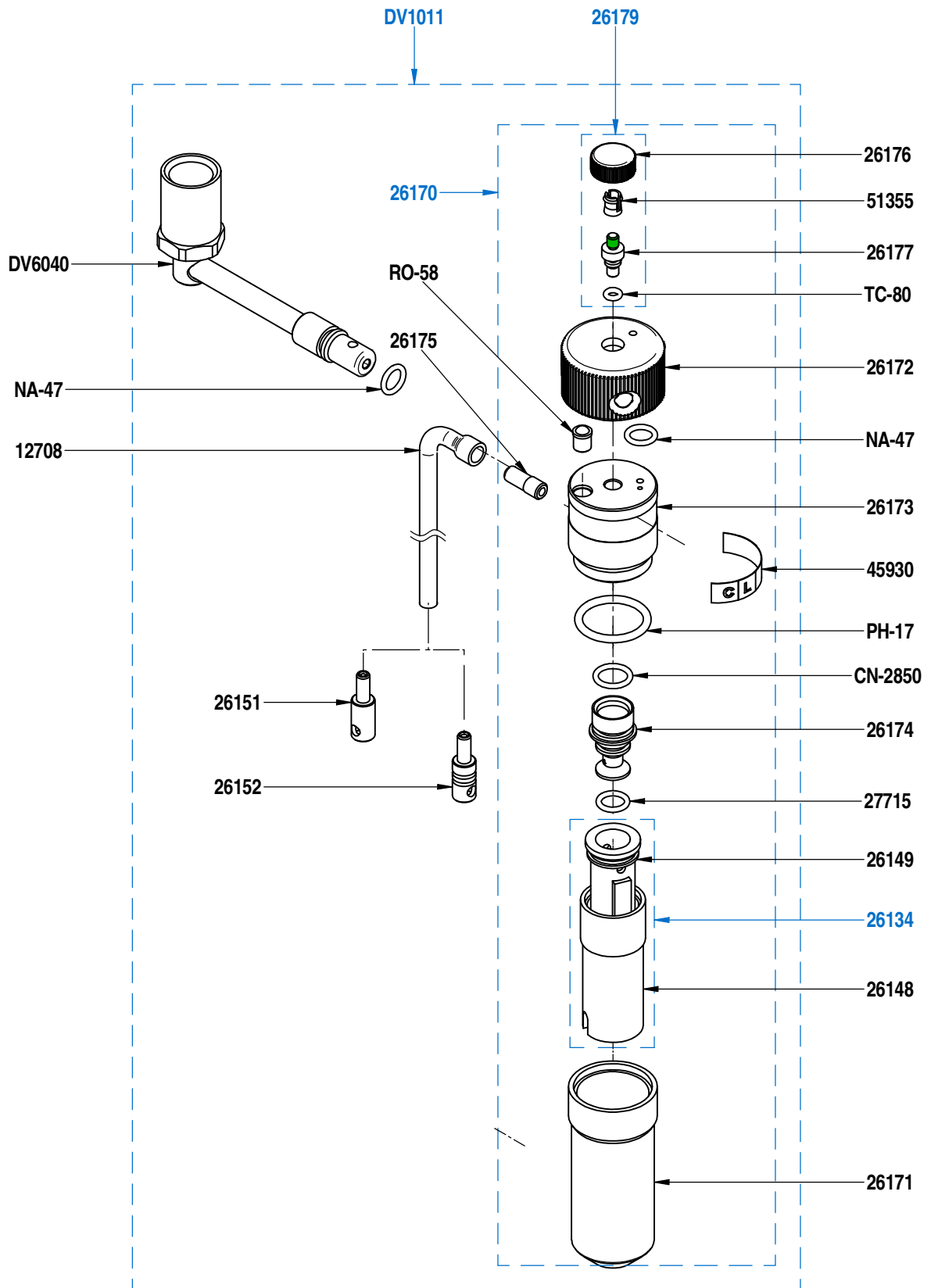
## PLANCHE - PLATE 244

<b>REF</b>	<b>ELUX</b>	<b>DESIGNATIONS FR</b>	<b>DESIGNATIONS GB</b>
12708	0UN073	TUBE SILICONE CAPPUCCINATORE L	CAPPUCCINATORE SILICONE PIPE
26102		MELANGEUR CAPPUCCINATORE	CAPPUCCINATORE MIXING TUBE
26134		CAPPUCCINO IDEA	CAPPUCCINATORE
26147		BUSE VAPEUR	STEAM NOZZLE
26148		BRISE JET	ANTI PLASH PLUG
26149		MOUSSEUR	FROTHER
26151		REDUCTEUR CAPPUCCINATORE D1.7	CAPPUCCINATORE REDUCER D1.7
26152		REDUCTEUR CAPPUCCINATORE D2	CAPPUCCINATORE REDUCER D2
27715		JOINT TORIQUE 1,78X8,73 SILICONE	GASKET 8,73 X 1,78
DV1010		KIT CAPPUCCINATORE COMPLET	WHOLE CAPPUCCINATORE KIT
DV6001		TUBE SORTIE VAPEUR	STEAM OUTLET PIPE
PH-78		JOINT TORIQUE 2,62X9,13 EPDM	O RING - 9,13 X 2,62



## PLANCHE - PLATE 246

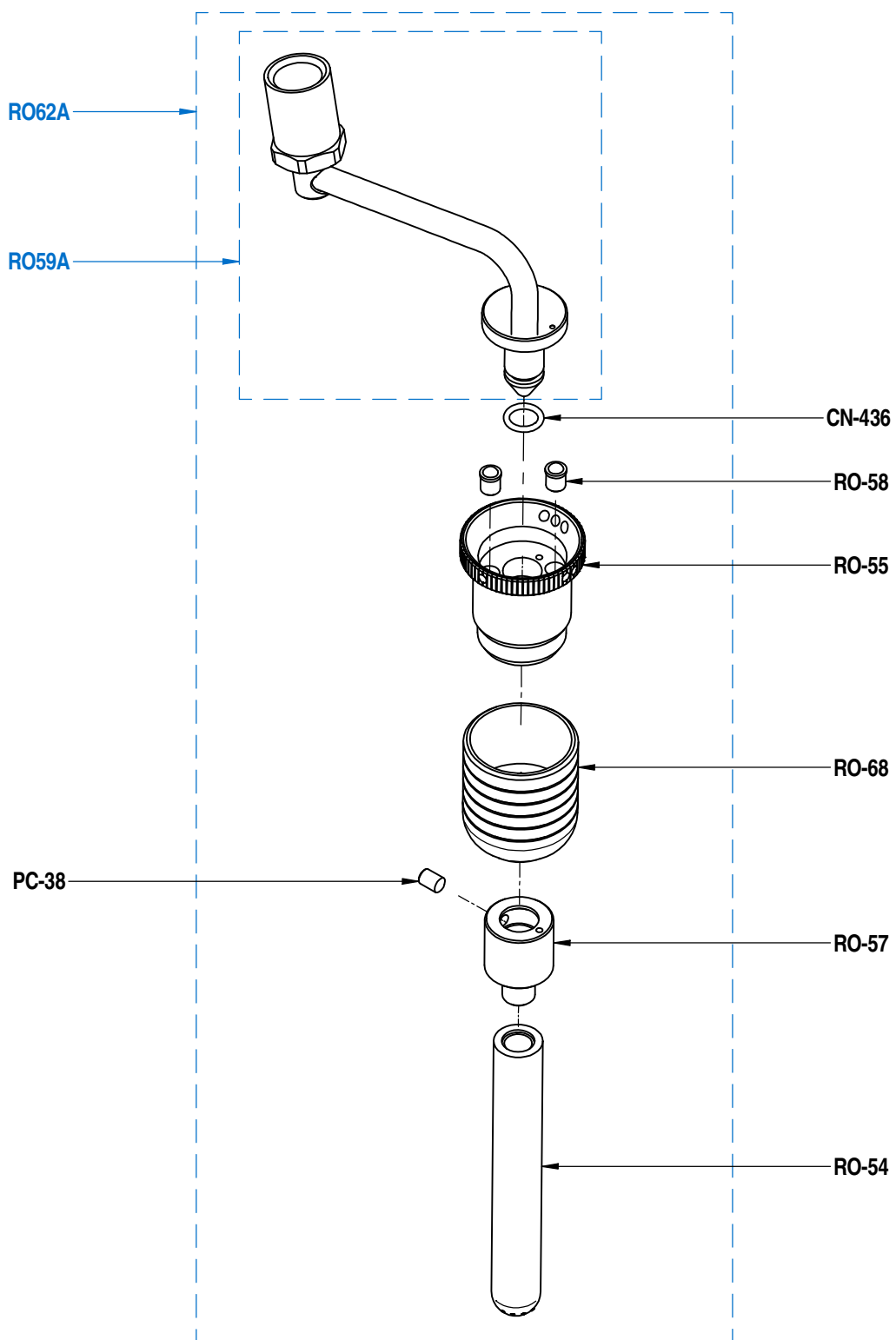
<b>REF</b>	<b>ELUX</b>	<b>DESIGNATIONS FR</b>	<b>DESIGNATIONS GB</b>
12708	OUN073	TUBE SILICONE CAPPUCCINATORE L	CAPPUCCINATORE SILICONE PIPE
26134		CAPPUCCINO IDEA	CAPPUCCINATORE
26148		BRISE JET	ANTI PLASH PLUG
26149		MOUSSEUR	FROTHER
26151		REDUCTEUR CAPPUCCINATORE D1.7	CAPPUCCINATORE REDUCER D1.7
26152		REDUCTEUR CAPPUCCINATORE D2	CAPPUCCINATORE REDUCER D2
26170		SORTIE CAPPUCCINATORE LC	LC CAPPUCCINATORE OUTLET
26171		BEC VERSEUR	SPOUT
26172		MANETTE	LEVER
26173		CORPS	BODY
26174		MELANGEUR	MIXER
26175		EMBOUT M6	M6 NOZZLE
26176		MOLETTE VIS	SCREW PLUG
26177		AXE M4	M4 AXLE
26179		VIS M4 COMPLET	WHOLE M4 SCREW
27715		JOINT TORIQUE 1,78X8,73 SILICONE	GASKET 8,73 X 1,78
45930		ETIQUETTE LC	LC STICKER
51255		VIS TH M6 X 10 INOX	S. STEEL SCREW M6 X 10
CN-2850		JOINT TORIQUE 1,78X10,82	GASKET 10.82x1.78
DV1011		KIT CAPPUCCINATORE COMPLET	WHOLE CAPPUCCINATORE KIT
DV6040		TUBE CUIVRE LC	LC COPPER PIPE
NA-47		JOINT TORIQUE 1.78X7.66 EPDM	O RING - 1.78 X 7.66 EPDM
PH-17		JOINT TORIQUE 2,62X20,63 EPDM	GASKET 20,63 X 2,62
RO-58		POUSSOIR A BILLE	THRUST BALL BEARING
TC-80		JOINT TORIQUE 1,78X2,90 FKM	GASKET 1.78X2.90 FKM



 Loctite 601

## PLANCHE - PLATE 248

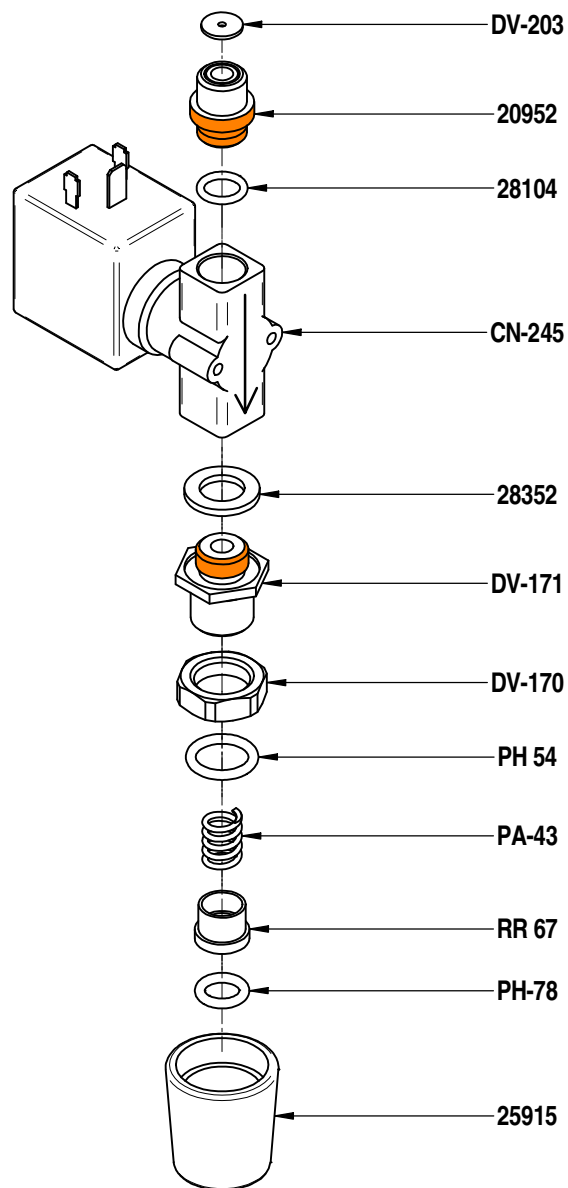
<b>REF</b>	<b>ELUX</b>	<b>DESIGNATIONS FR</b>	<b>DESIGNATIONS GB</b>
RO-62A		SORTIE CAPPUCCINO A BARRILLET	CAPPUCCINO OUTLET
RO-59A		TUBE SORTIE VAPEUR SP	CHROME COPPER TUBE
CN-436		JOINT TORIQUE 1,78X8,73 EPDM	GASKET 8,73 X 1,78
RO-28		EMBOUT POUR TUBE	SPOUT FOR PIPE
RO-55		BARILLET	BARREL
RO-68		CACHE BARILLET	BARREL COVER
RO-57		MELANGEUR EN LAITON	MIXER
RO-54		SORTIE PTFE 17 TROUS	PTFE OUTLET 17 HOLES
PC-38		VIS STHC M5X8 BOUT POINTU	POINT END SCREW



## PLANCHE - PLATE 250

<b>REF</b>	<b>ELUX</b>	<b>DESIGNATIONS FR</b>	<b>DESIGNATIONS GB</b>
20952		RACCORD 1/4 MALE	<i>FITTING 1/4 M</i>
25915		CACHE SORTIE EAU VAPEUR	<i>COVER OUTLET STEAM WATER</i>
28104	0UN146	JOINT TORIQUE 2X9,5 FKM 80SH	<i>GASKET 2X9,5</i>
28352	0UN017	JOINT PLAT 20X12X2 EPDM 70SH	<i>GASKET 20X12X2</i>
CN-245		ELECTROVANNE 2V 230V 50Hz	<i>ELECTROVALVE 2W 230V-50Hz</i>
DV-170		ECROU CHROME	<i>NUT 3/8</i>
DV-171		RACCORD 3/8-1/4	<i>FITTING 3/8</i>
DV-203		JOINT PLAT CUIVRE 1/4 D:2mm	<i>WASHER 1/4 D:2</i>
PA-43		RESSORT F15/10 L14,5 D10,5 P3	<i>SPRING</i>
PH-54		JOINT TORIQUE 2,62X13,95 EPDM	<i>O RING - 13.95 x 2.62</i>
PH-78		JOINT TORIQUE 2,62X9,13 EPDM	<i>O RING - 9,13 X 2,62</i>
RR-67		EMBOUT LAITON	<i>BRASS END</i>

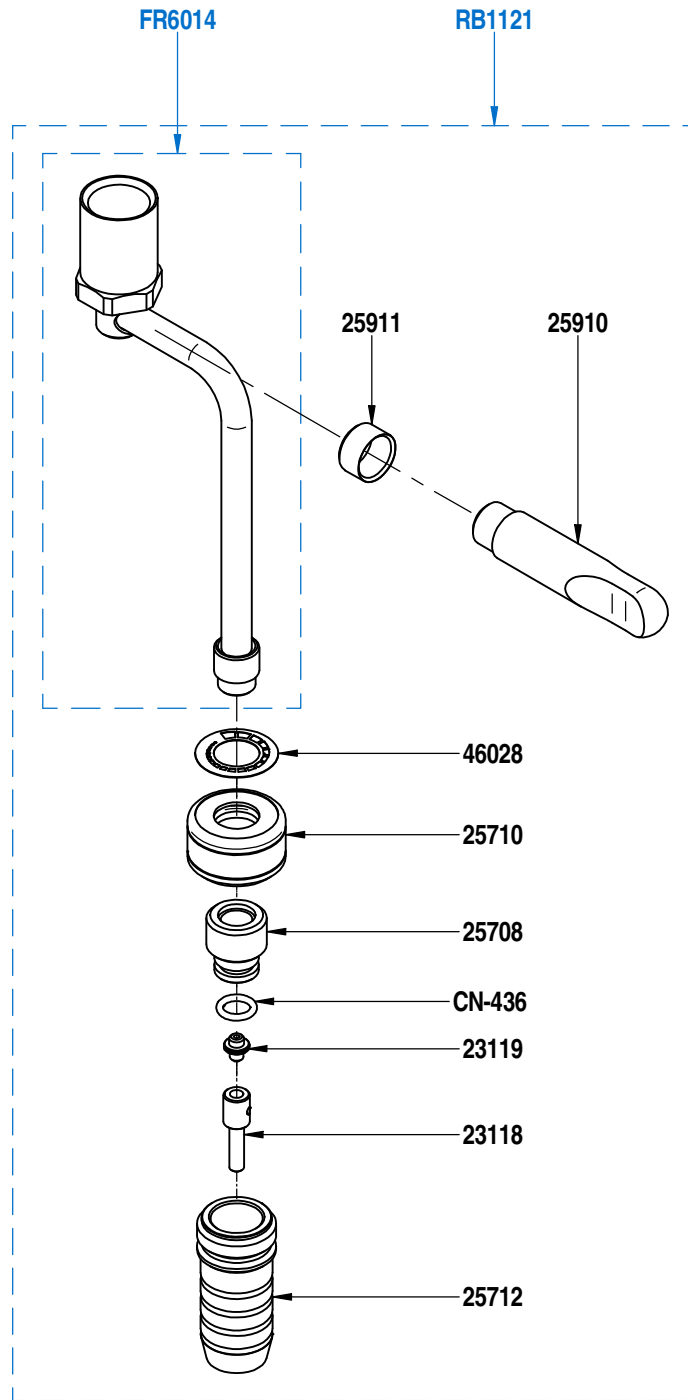




 Loctite 542

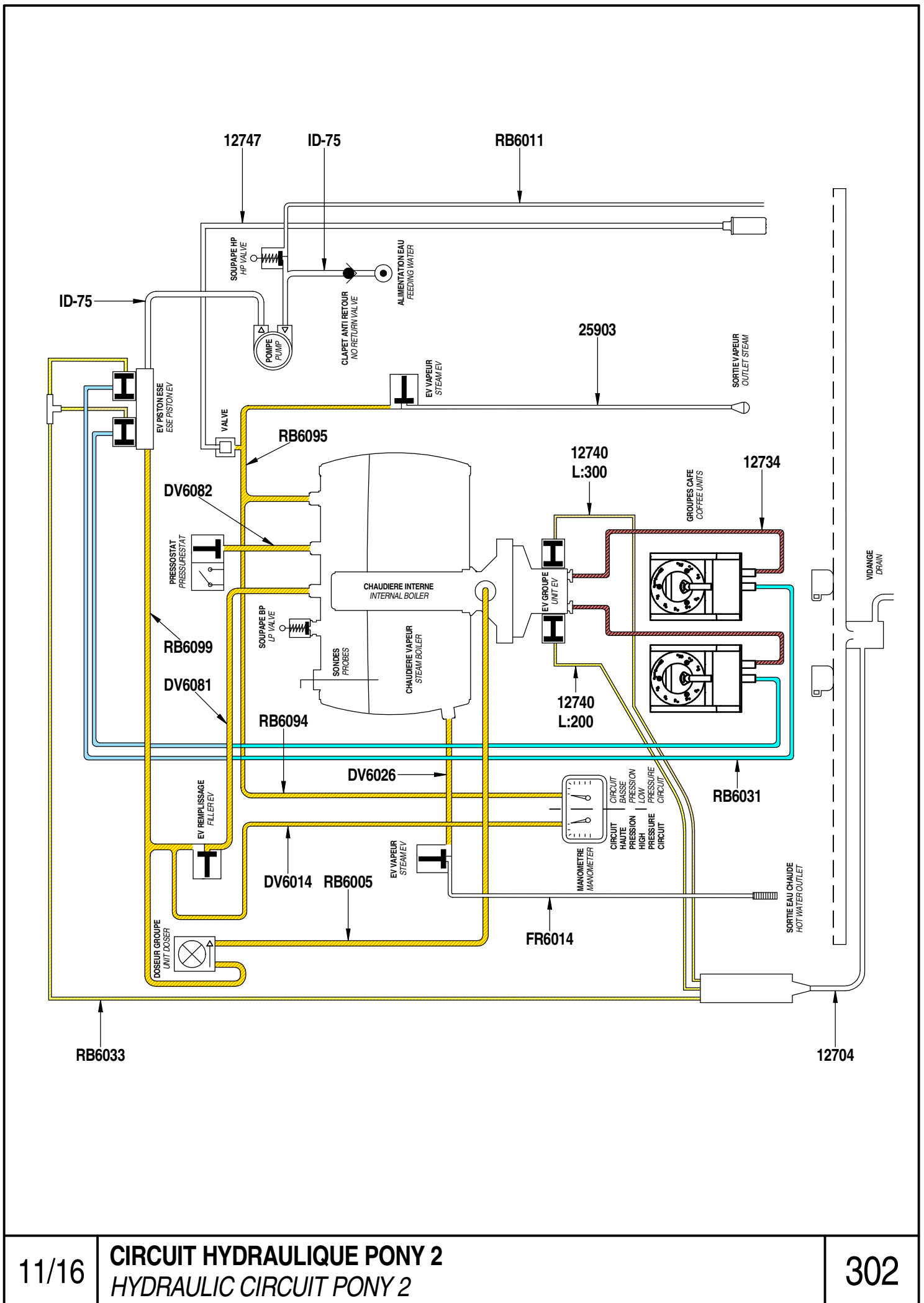
## PLANCHE - PLATE 272

<b>REF</b>	<b>ELUX</b>	<b>DESIGNATIONS FR</b>	<b>DESIGNATIONS GB</b>
23118		SUPPORT GICLEUR SORTIE EAU CHAUDE	<i>HOT WATER GICLUER SUPPORT</i>
23119		GICLEUR DIAM:0,9	<i>GICLUER DIAM. 0.9</i>
25708		RACCORD SORTIE DEBIT REGLABLE	<i>ADJUSTABLE OUTLET FITTING</i>
25710		MOLETTE POUR SORTIE DEBIT REGLABLE	<i>ADJUSTABLE OUTLET TOOTHED WHEEL</i>
25712		EMBOUT EAU CHAUDE DEBIT REGLABLE	<i>ADJUSTABLE HOT WATER SPOUT</i>
25910		POIGNEE SORTIE EAU CHAUDE ET VAPEUR	<i>HOT WATER AND STEAM OUTLET HANDLE</i>
25911		BAGUE POUR POIGNEE EAU ET VAPEUR	<i>WATER AND STEAM HANDLE COLLAR</i>
46028		AUTOCOLLANT SORTIES REGLABLES	<i>ADJUSTABLE OUTLET STICKER</i>
CN-436		JOINT TORIQUE 1,78X8,73 EPDM	<i>GASKET 8,73 X 1,78</i>
FR6014		TUBE SORTIE VAPEUR PTFE	<i>PTFE STEAM OUTLET PIPE</i>
RB1121		SORTIE EAU CHAUDE REGLAGE HAUTE	<i>ADJUSTABLE HIGH HOT WATER OUTLET</i>



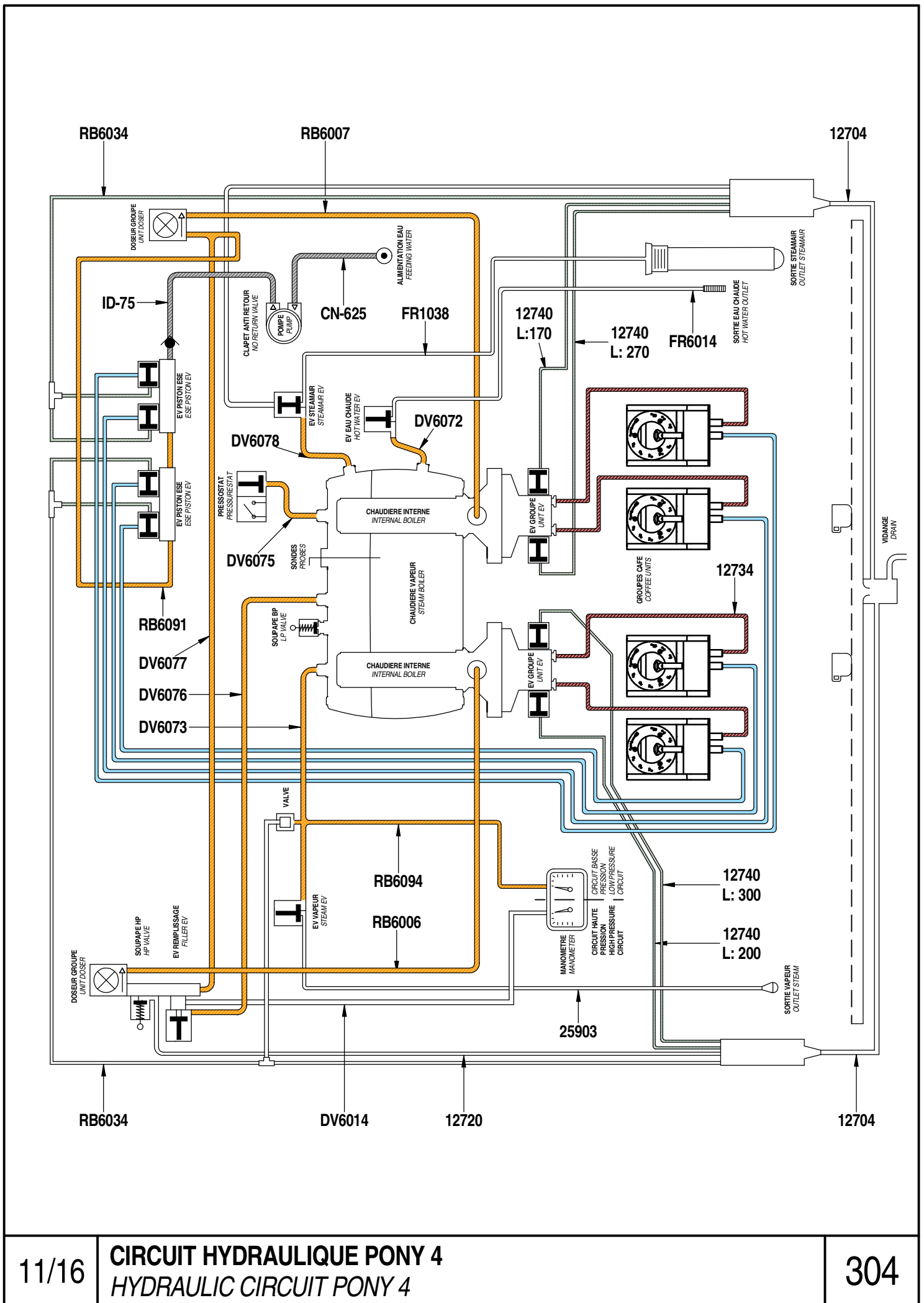
## PLANCHE - PLATE 302

<b>REF</b>	<b>ELUX</b>	<b>DESIGNATIONS FR</b>	<b>DESIGNATIONS GB</b>
12704	OUN041	TUBE SILICONE 7X12	SILICONE PIPE 7X12
12734	OUN055	TUBE PTFE DIA:4	PIPE PTFE DIA:4
12740	OUN137	TUBE SILICONE 5 X 9	SILICONE PIPE 5 X 9
12747		TUBE SILICONE SOUPLE 4 - 7	FLEXIBLE SILICONE PIPE 4 - 7
25903		SORTIE VAPEUR INOX V+	V+ STAINLESS STEEL STEAM OUTLET
DV6014		TUBE CUIVRE MANOMETRE HP	PIPE HP MANOMETER
DV6026		TUBE ALIMENTATION EV EAU CHAUDE	PIPE HOT WATER EV FILLING
DV6081		TUBE DE REMPLISSAGE	PIPE BOILER FILLING
DV6082		TUBE PRESSOSTAT SEC	PIPE PRESSURESTAT
FR6014		TUBE SORTIE VAPEUR PTFE	PTFE STEAM OUTLET PIPE
ID-75		TUBE FLEXIBLE COUDE ARME INOX	FLEXIBLE PIPE
RB6005		TUBE ALIMENTATION 1ER GROUPE	PIPE UNIT FILLING
RB6011		TUBE EVACUATION SOUPE HP	PIPE DRAIN VALVE HP
RB6031		TUBE 4/6 PISTON 1GR L375	1 UNIT PIPE 4/6 PISTON L375
RB6094		TUBE MANOMETRE BP	PIPE LP MANOMETER
RB6095		TUBE VALVE VAPEUR	PIPE STEAM VALVE
RB6099		TUBE LIAISON NOURRICE VENTOLINE	1 UNIT PIPE LINK NOURRICE VENTOLINE



## PLANCHE - PLATE 304

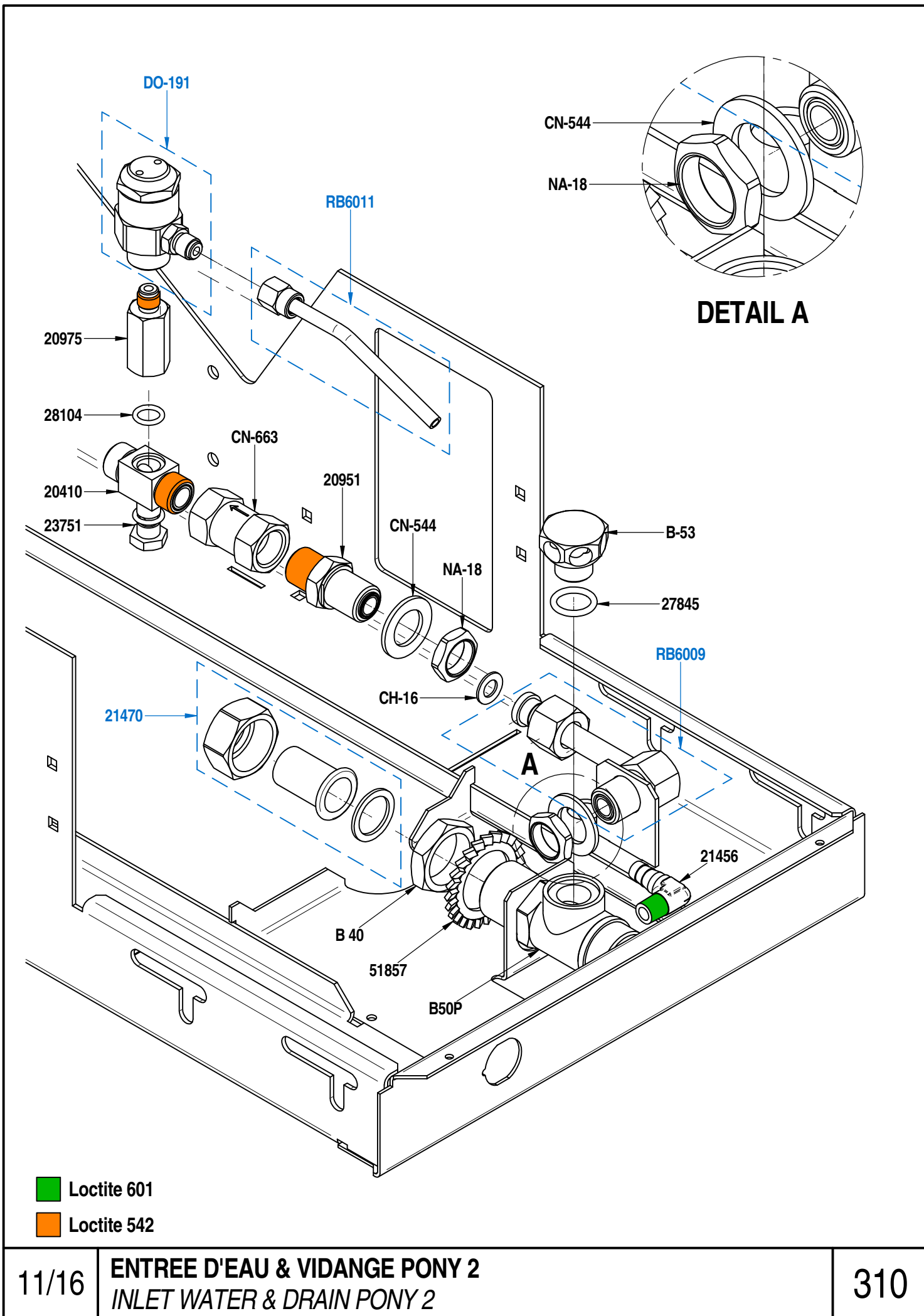
<b>REF</b>	<b>ELUX</b>	<b>DESIGNATIONS FR</b>	<b>DESIGNATIONS GB</b>
12704	0UN041	TUBE SILICONE 7X12	SILICONE PIPE 7X12
12720		TUBE POLYAMIDE DIAMETRE 4 X 6	TUBE RILSAN 4X6
12734	0UN055	TUBE PTFE DIA:4	PIPE PTFE DIA:4
12740	0UN137	TUBE SILICONE 5 X 9	SILICONE PIPE 5 X 9
25903		SORTIE VAPEUR INOX V+	V+ STAINLESS STEEL STEAM OUTLET
CN-625		TUBE FLEXIBLE ARME	FLEXIBLE PIPE
DV6014		TUBE CUIVRE MANOMETRE HP	PIPE HP MANOMETER
DV6072		TUBE ALIMENTATION EV EAU CHAUDE	PIPE HOT WATER EV FILLING
DV6073		TUBE VALVE VAPEUR	PIPE STEAM VALVE
DV6075		TUBE PRESSOSTAT SEC	PIPE PRESSURESTAT
DV6076		TUBE DE REMPLISSAGE	PIPE BOILER FILLING
DV6077		TUBE ALIMENTATION DOSEUR	PIPE DOSER FILLING
DV6078		TUBE ALIMENTATION VAPEUR DROITE	PIPE RIGHT STEAM FILLING
FR1038		SORTIE STEAMAIR V+	V+ STEAMAIR OUTLET
FR6014		TUBE SORTIE VAPEUR PTFE	PTFE STEAM OUTLET PIPE
ID-75		TUBE FLEXIBLE COUDE ARME INOX	FLEXIBLE PIPE
RB6006		TUBE ENTREE D'EAU 2GR groupe 1	2 UNITS WATER INLET PIPE group 1
RB6007		TUBE ENTREE D'EAU 2GR groupe 2	2 UNITS WATER INLET PIPE group 2
RB6034		TUBES DECOMPRESSION 2GR	2 UNITS DECOMPRESSION PIPE
RB6091		TUBE LIAISON NOURRICE VENTOLINE 2GR	2 UNITS PIPE LINK NOURRICE VENTOLINE
RB6094		TUBE MANOMETRE BP	PIPE LP MANOMETER



## PLANCHE - PLATE 310

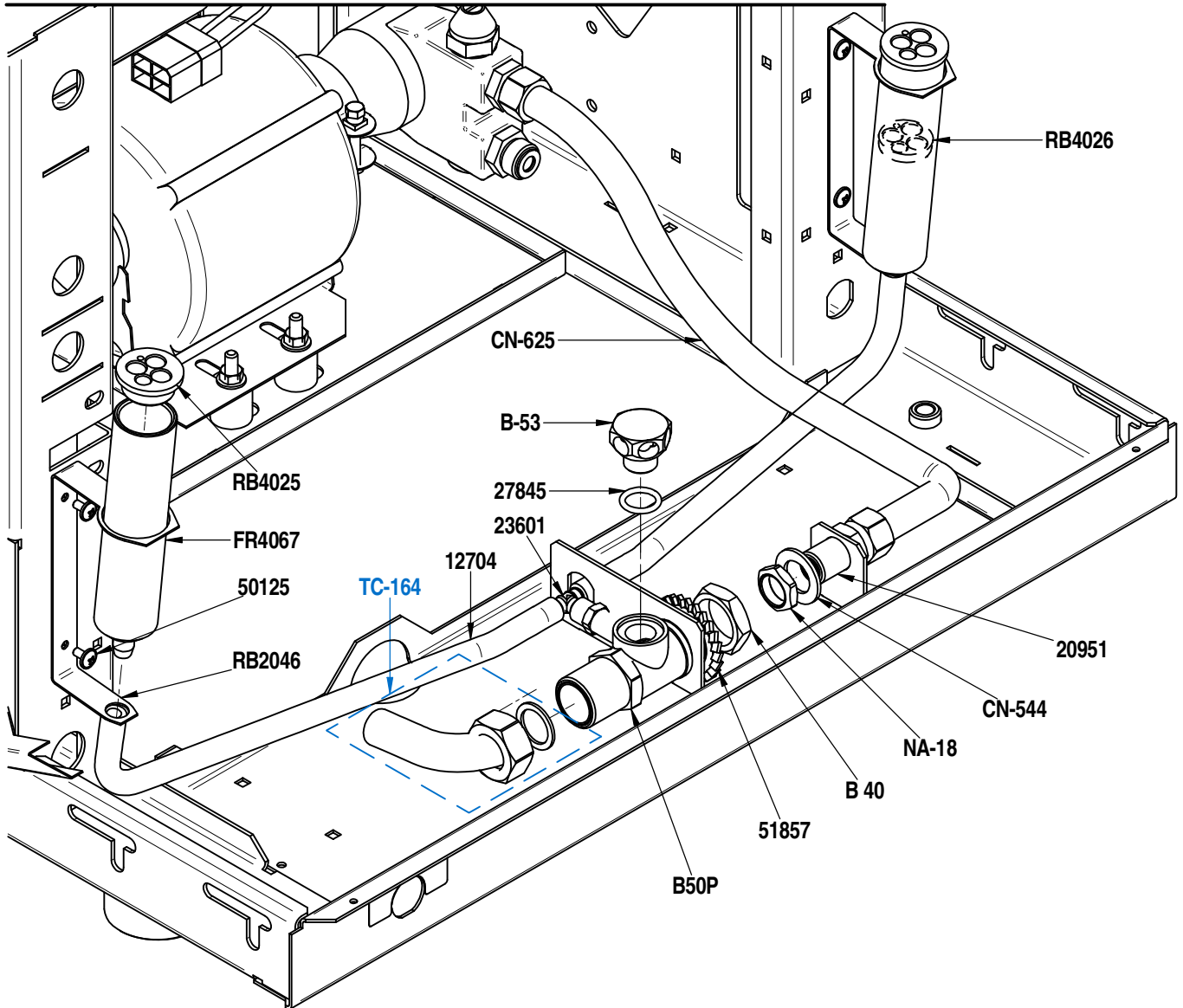
<b>REF</b>	<b>ELUX</b>	<b>DESIGNATIONS FR</b>	<b>DESIGNATIONS GB</b>
20410		RACCORD NOURRICE SIMPLE 3/8M-3/8M	<i>FITTING 3/8M-3/8 M</i>
20951		RACCORD 3/8M-3/8M	<i>FITTING 3/8M-3/8M</i>
20975		RACCORD 1/8 M 1/8 F	<i>FITTING 1/8M-1/8 F</i>
21456		RACCORD COUDE 1/8M D7	<i>FITTING 1/8M D7</i>
21470		RACCORD DROIT 3/4M TETINE	<i>FITTING 3/4</i>
23751	0UN088	AXE DE BANJO 1/8	<i>BANJO SCREW</i>
27845	0UN144	JOINT TORIQUE 2.62 X 17.13	<i>O-RING 2.62 X 17.13</i>
28104	0UN146	JOINT TORIQUE 2X9,5 FKM 80SH	<i>GASKET 2X9,5</i>
51857		RONDELLE EVENTAILLE M27 ZINGUE	<i>WASHER</i>
B-40A		ECROU 3/4 LAITON	<i>NUT 3/4</i>
B-50P		COLLECTEUR DE VIDANGE	<i>DRAIN COLLECTOR</i>
B-53		ECROU CHROME BLOCAGE BASSINE	<i>OVERFLOW-TRAY LOCK NUT</i>
CH-16		JOINT CUIVRE RECUIT 3/8	<i>WASHER - COPPER - 3/8</i>
CN-544		RONDELLE ACIER ZN 17 x 28 x 2	<i>WASHER</i>
CN-663		CLAPET ANTI RETOUR COMPACT	<i>VALVE - NON-RETURN</i>
DO-191		SOUPAPE H.P. COMPLETE	<i>COMPLET H.P. VALVE</i>
NA-18		ECROU LAITON 3/8 6 mm	<i>3/8 NUT</i>
RB6009		TUBE ENTREE D'EAU PONY 2	<i>WATER INLET PIPE PONY 2</i>
RB6011		TUBE EVACUATION SOUPAPE HP	<i>PIPE DRAIN VALVE HP</i>





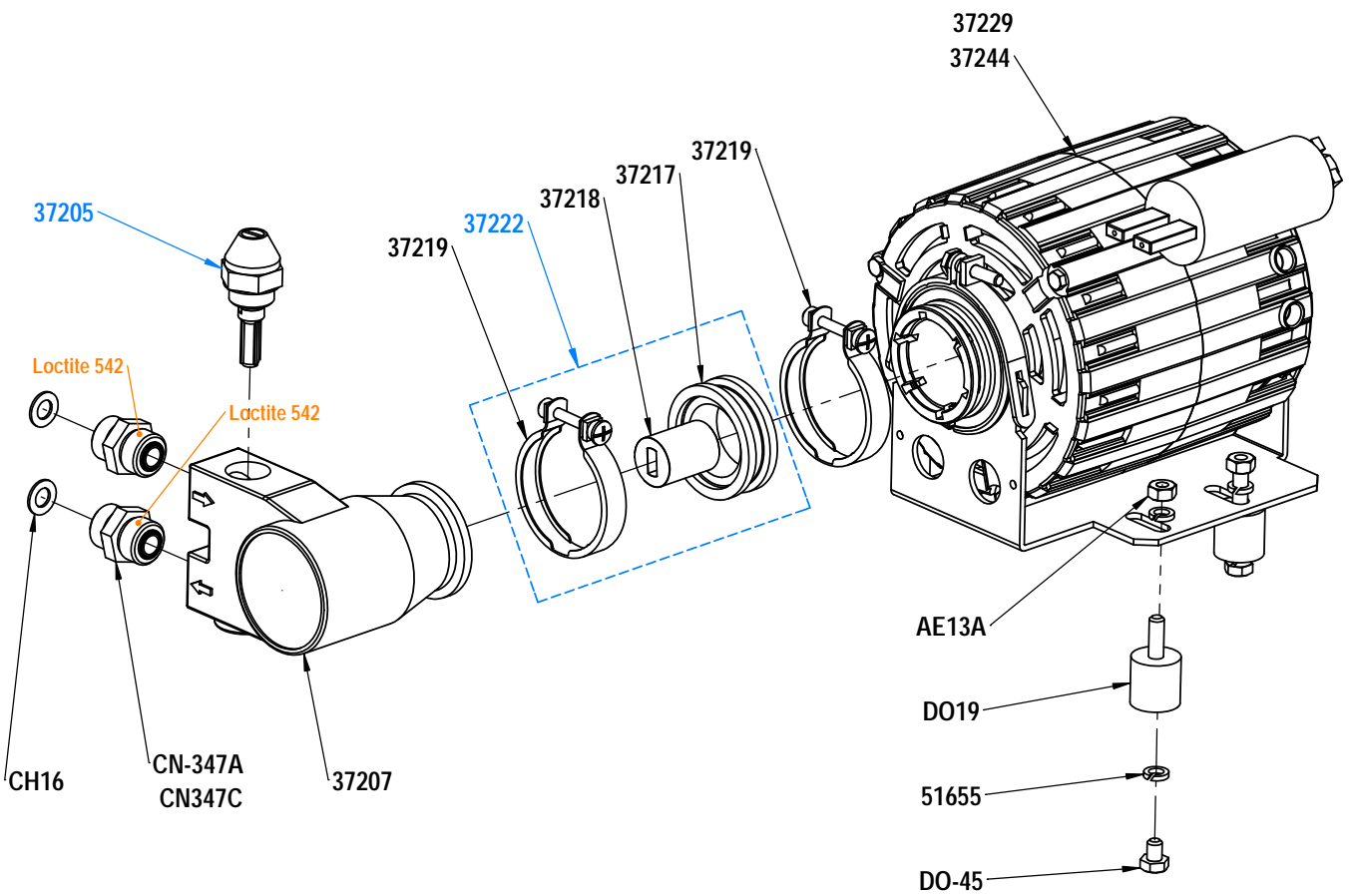
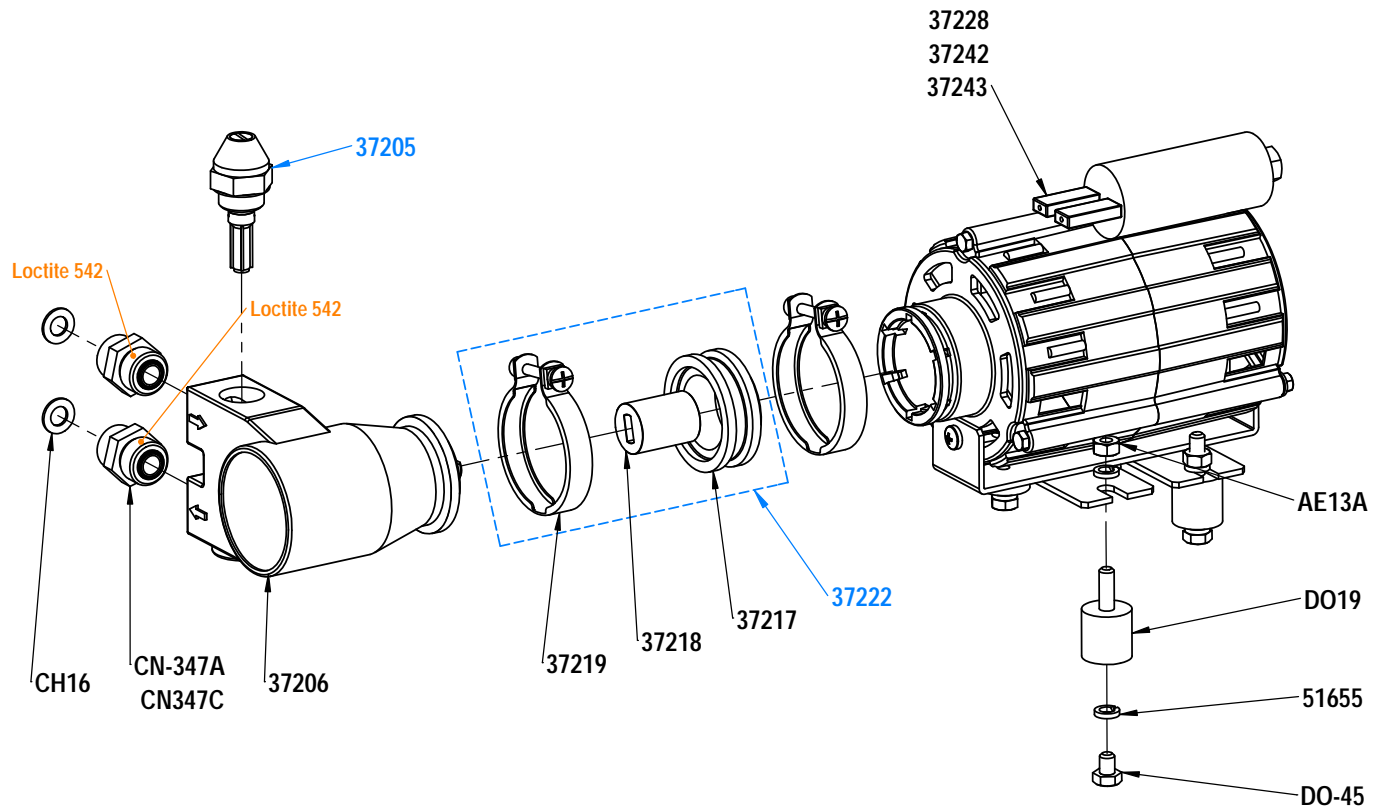
## PLANCHE - PLATE 311

<b>REF</b>	<b>ELUX</b>	<b>DESIGNATIONS FR</b>	<b>DESIGNATIONS GB</b>
12704	0UN041	TUBE SILICONE 7X12	SILICONE PIPE 7X12
20951		RACCORD 3/8M-3/8M	FITTING 3/8M-3/8M
23601		T DIAMETRE 8	T DIAMETER 8
27845	0UN144	JOINT TORIQUE 2.62 X 17.13	O-RING 2.62 X 17.13
50125		VIS TB CRUCIFORME A EMBASE M4 x 8	CRUCIFORM SCREW M4 x 8
51857		RONDELLE EVENTAILLE M27 ZINGUE	WASHER
B-40A		ECROU 3/4 LAITON	NUT 3/4
B-50P		COLLECTEUR DE VIDANGE	DRAIN COLLECTOR
B-53		ECROU CHROME BLOCAGE BASSINE	OVERFLOW-TRAY LOCK NUT
CN-544		RONDELLE ACIER ZN 17 x 28 x 2	WASHER
CN-625		TUBE FLEXIBLE ARME	FLEXIBLE PIPE
FR4067		GOULOTTE EVACUATION	DRAIN CHUTE
NA-18		ECROU LAITON 3/8 6 mm	3/8 NUT
RB2046		SUPPORT GOULOTTE DECOMPRESSION	DRAIN CHUTE HOLDER
RB4025		BOUCHON GOULOTTE	PLUG CHUTE
RB4026		RONDELLE BRISE JET GOULOTTE	BREEZE JET WASHER
TC-164		COUDE 3/4 EN LAITON	DRAIN COLLECTOR ELBOW



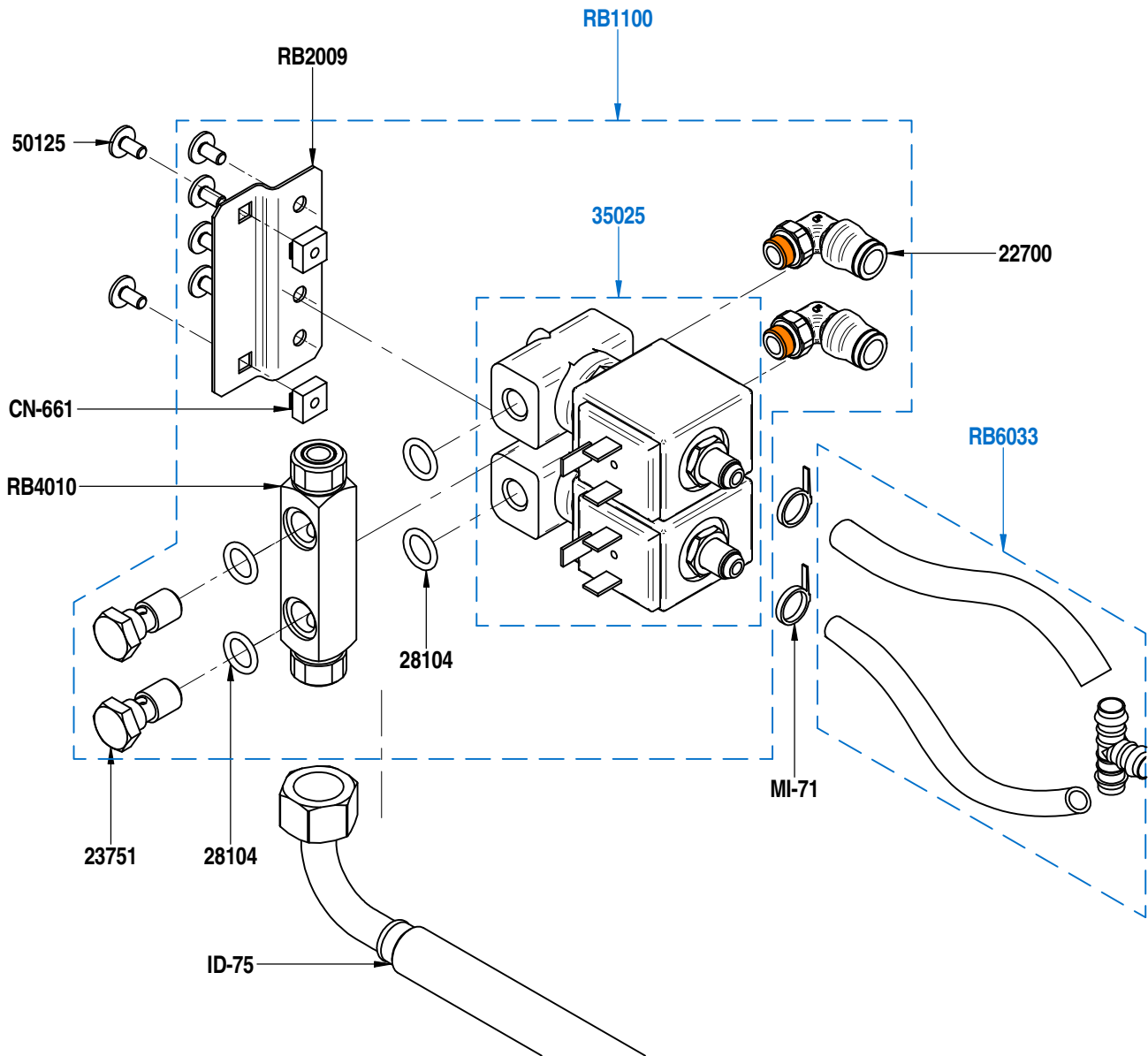
## PLANCHE - PLATE 320

REF	ELUX	DESIGNATIONS FR	DESIGNATIONS GB
37205		BY PASS POUR POMPE FLUIDOTECH	BY PASS FOR FLUIDOTECH PUMP
37206		POMPE ROTATIVE 100L/H SANS PLOMB	UNLEADED PUMP 100L/H
37207	OUN056	POMPE ROTATIVE 200L/H SANS PLOMB	UNLEADED PUMP 200L/H
37217		ENTRETOISE POUR ACCOUP. MOTEUR-POMPE	SPACER 48 YZ
37218		ACCOUPEMENT MALE/FEMELLE MOTEUR-POMPE	ACCOUPEMENT MALE/FEMALE
37219		COLLIER POUR POMPE FLUIDOTECH	CLAMP
37222		KIT ACCOUPEMENT MOTEUR POMPE	GANGING RING KIT
37228		MOTEUR POMPE 120W 220-230V 50-60Hz UL	PUMP MOTOR 120W 220-230V 50-60Hz UL
37229		MOTEUR POMPE 165W 220-230V 50-60Hz UL	PUMP MOTOR 165W 220-230V 50-60Hz UL
37242		MOTEUR POMPE 120W 110V 60Hz - UL	PUMP MOTOR 120W 110V 60Hz - UL
37243		MOTEUR POMPE 120W 220-230V 50-60Hz	PUMP MOTOR 120W 220-230V 50-60Hz
37244		MOTEUR POMPE 165W 220-230V 50-60Hz	PUMP MOTOR 165W 220-230V 50-60Hz
51655		RONDELLE GROWER DE 6	WASHER 6
AE-13A		ECROU INOX Hu 6-100	NUT M6
CH-16		JOINT CUIVRE RECUIT 3/8	WASHER - COPPER - 3/8
CN-347A		RACCORD D'ALIM. 3/8 - 3/8 MM	FITTING - 3/8 X 3/8 -
CN-347C		RACCORD D'ALIM 3/8 3/8	FITTING 3/8 3/8
DO-19		PLOT APB 20-20	SILENTBLOC
DO-45		VIS ACIER ZN TH 6 X 8	SCREW 6 X 8



## PLANCHE - PLATE 325

<b>REF</b>	<b>ELUX</b>	<b>DESIGNATIONS FR</b>	<b>DESIGNATIONS GB</b>
22700	0UN052	RACCORD COUDE 1/8M	<i>CROOKED FITTING 1/8M</i>
23751	0UN088	AXE DE BANJO 1/8	<i>BANJO SCREW</i>
28104	0UN146	JOINT TORIQUE 2X9,5 FKM 80SH	<i>GASKET 2X9,5</i>
35025	0UN129	EV 3 VOIES 24V D1.2	<i>EV 3 WAYS 24V D1.2</i>
50125		VIS TB CRUCIFORME A EMBASE M4 x 8	<i>CRUCIFORM SCREW M4 x 8</i>
CN-661		ECROU CAGE M4, EP 1/1.6	<i>INSERT NUT M4</i>
ID-75		TUBE FLEXIBLE COUDE ARME INOX	<i>FLEXIBLE PIPE</i>
MI-71		COLLIER INCOLORE 150 X 3,5mm	<i>COLOURLESS COLLAR 150 x 3,5mm</i>
RB1100		ENSEMBLE EV PISTON PONY 2	<i>EV PISTON PONY 2 SET</i>
RB2009		SUPPORT EV	<i>EV HOLDER</i>
RB4010		NOURRICE 3/8M 3/8M BANJO 1/4	<i>FITTING 3/8M 3/8M BANJO 1/4</i>
RB6033		TUBES DECOMPRESSION 1GR	<i>1 UNIT DECOMPRESSION PIPE</i>



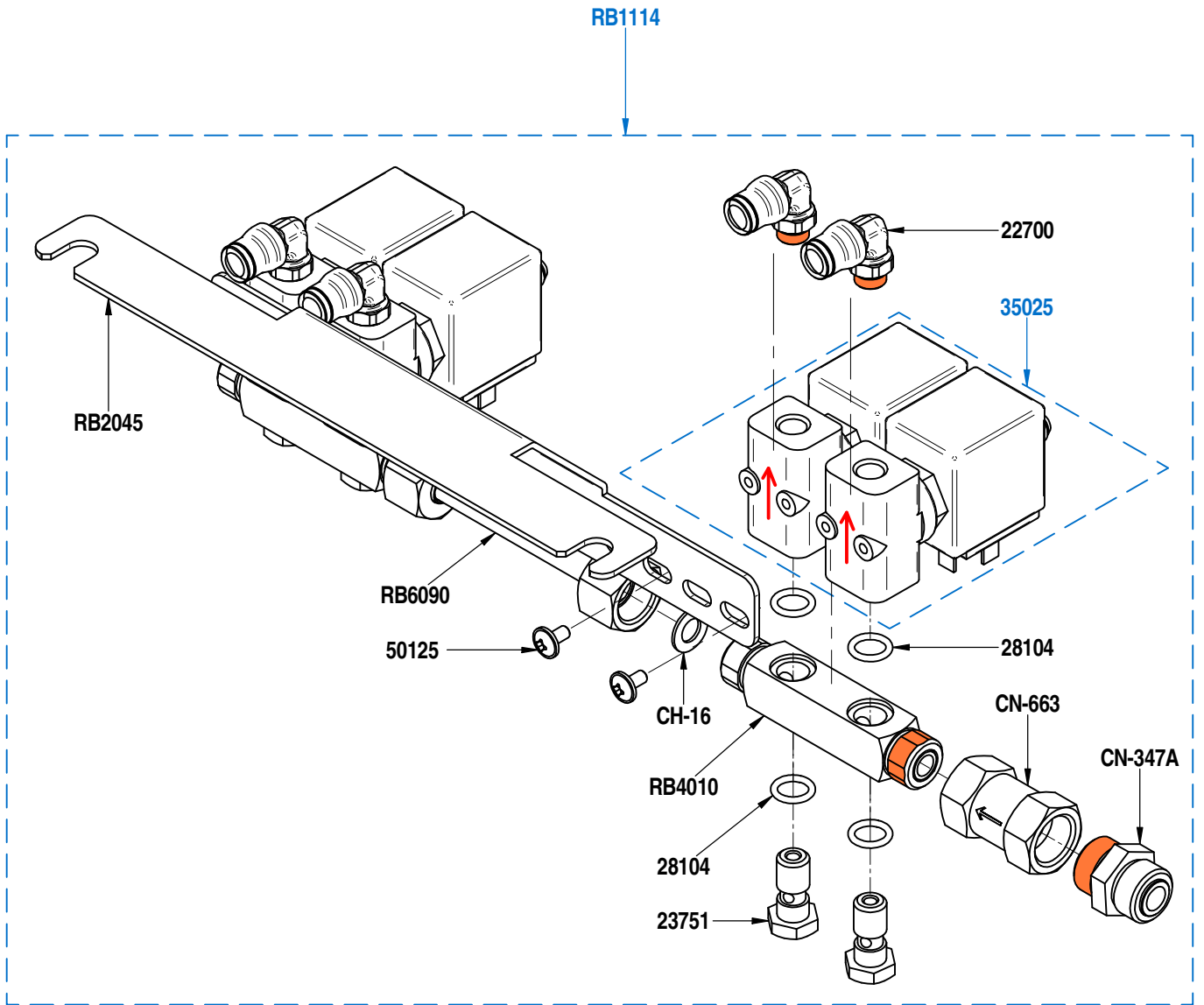
 Loctite 542

**ATTENTION: Découpe des tubes sans marque ni bavure.**  
**WARNING: Tube cutting unbranded and without smudge.**

## PLANCHE - PLATE 326

<b>REF</b>	<b>ELUX</b>	<b>DESIGNATIONS FR</b>	<b>DESIGNATIONS GB</b>
22700	0UN052	RACCORD COUDE 1/8M	<i>CROOKED FITTING 1/8M</i>
23751	0UN088	AXE DE BANJO 1/8	<i>BANJO SCREW</i>
28104	0UN146	JOINT TORIQUE 2X9,5 FKM 80SH	<i>GASKET 2X9,5</i>
35025	0UN129	EV 3 VOIES 24V D1.2	<i>EV 3 WAYS 24V D1.2</i>
50125		VIS TB CRUCIFORME A EMBASE M4 x 8	<i>CRUCIFORM SCREW M4 x 8</i>
CH-16		JOINT CUIVRE RECUIT 3/8	<i>WASHER - COPPER - 3/8</i>
CN-347A		RACCORD D'ALIM. 3/8 - 3/8 MM	<i>FITTING - 3/8 X 3/8 -</i>
CN-663		CLAPET ANTI RETOUR COMPACT	<i>VALVE - NON-RETURN</i>
RB1114		ENSEMBLE EV PISTON PONY 4	<i>EV PISTON PONY 4 SET</i>
RB2045		GUIDE EJECTION CAPSULE FAP	<i>CAPSULE EJECTION GUIDE</i>
RB6090		TUBE LIAISON NOURRICE 2GR	<i>2 UNITS PIPE LINK NOURRICE</i>



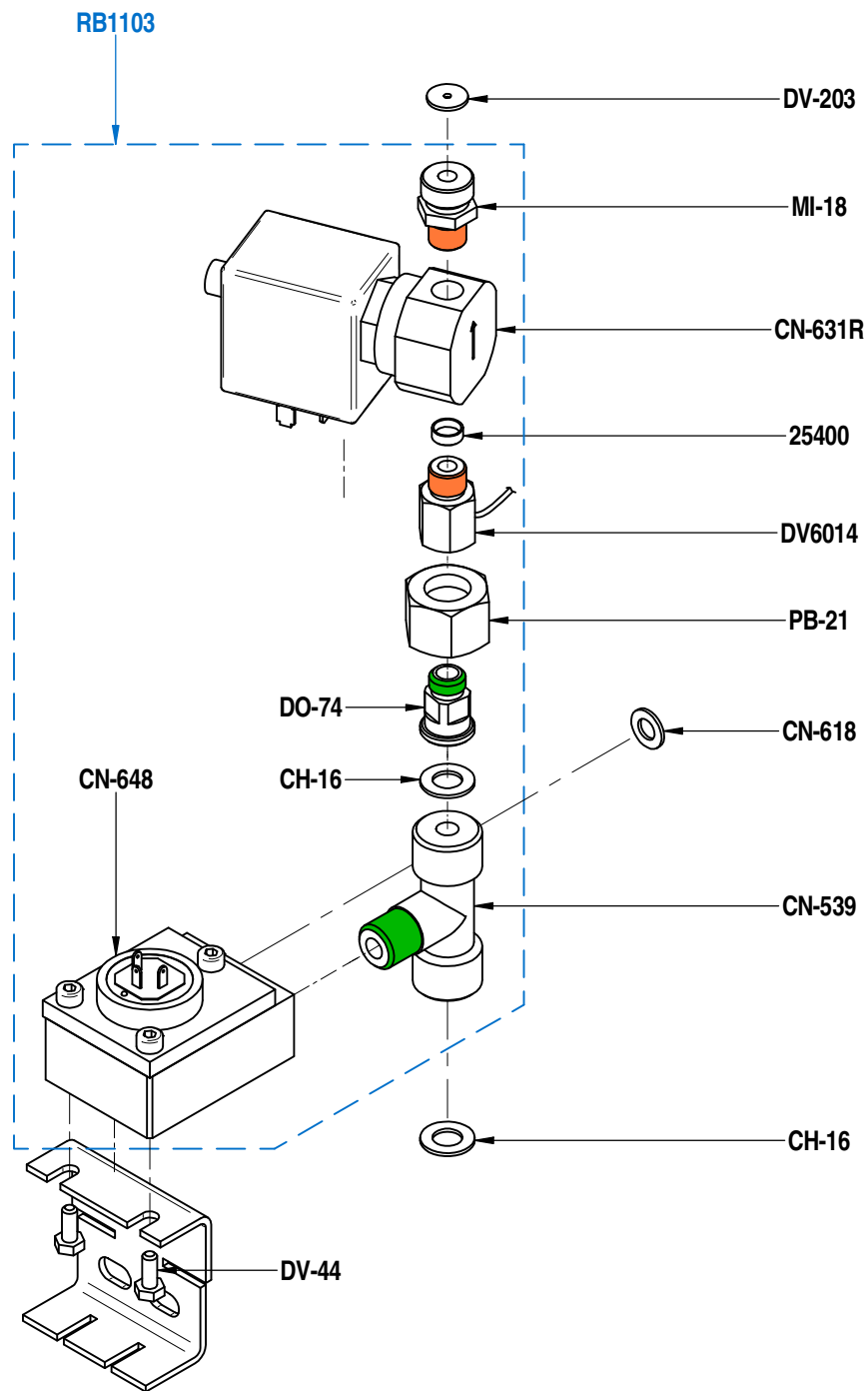


 Loctite 542

**ATTENTION: Découpe des tubes sans marque ni bavure.**  
**WARNING: Tube cutting unbranded and without smudge.**

## PLANCHE - PLATE 330

<b>REF</b>	<b>ELUX</b>	<b>DESIGNATIONS FR</b>	<b>DESIGNATIONS GB</b>
25400	0UN124	FILTRE INOX	<i>FILTER</i>
CH-16		JOINT CUIVRE RECUIT 3/8	<i>WASHER - COPPER - 3/8</i>
CN-539		TE 3/8 3/8 1/4	<i>TEE 3/8 3/8 1/4</i>
CN-618		JOINT CUIVRE 1/4	<i>GASKET - 1/4</i>
CN-631R		EV 2V REGL. 24V-50/60Hz	<i>ELECTROVALVE 2W ADJ. 24V-50/60Hz</i>
CN-648		COMPTEUR VOLUMETRIQUE	<i>WHOLE W.DOSING DEVICE</i>
DO-74		RACCORD SOUPAPE HP	<i>H.P VALVE CONNECTION</i>
DV-203		JOINT PLAT CUIVRE 1/4 D:2mm	<i>WASHER 1/4 D:2</i>
DV-44		VIS TH M4X10 ACIER	<i>SCREW M4x10</i>
DV6014		TUBE CUIVRE MANOMETRE HP	<i>PIPE HP MANOMETER</i>
MI-18		RACCORD MM 1/4 - 1/8 G	<i>FITTING - 1/8 x 1/4</i>
PB-21		ECROU 3/8 LAITON	<i>FITTING 3/8</i>
RB1103		ENSEMBLE DOSEUR EV REMPLISSAGE 24V	<i>FILLING DOSEUR EV SET</i>

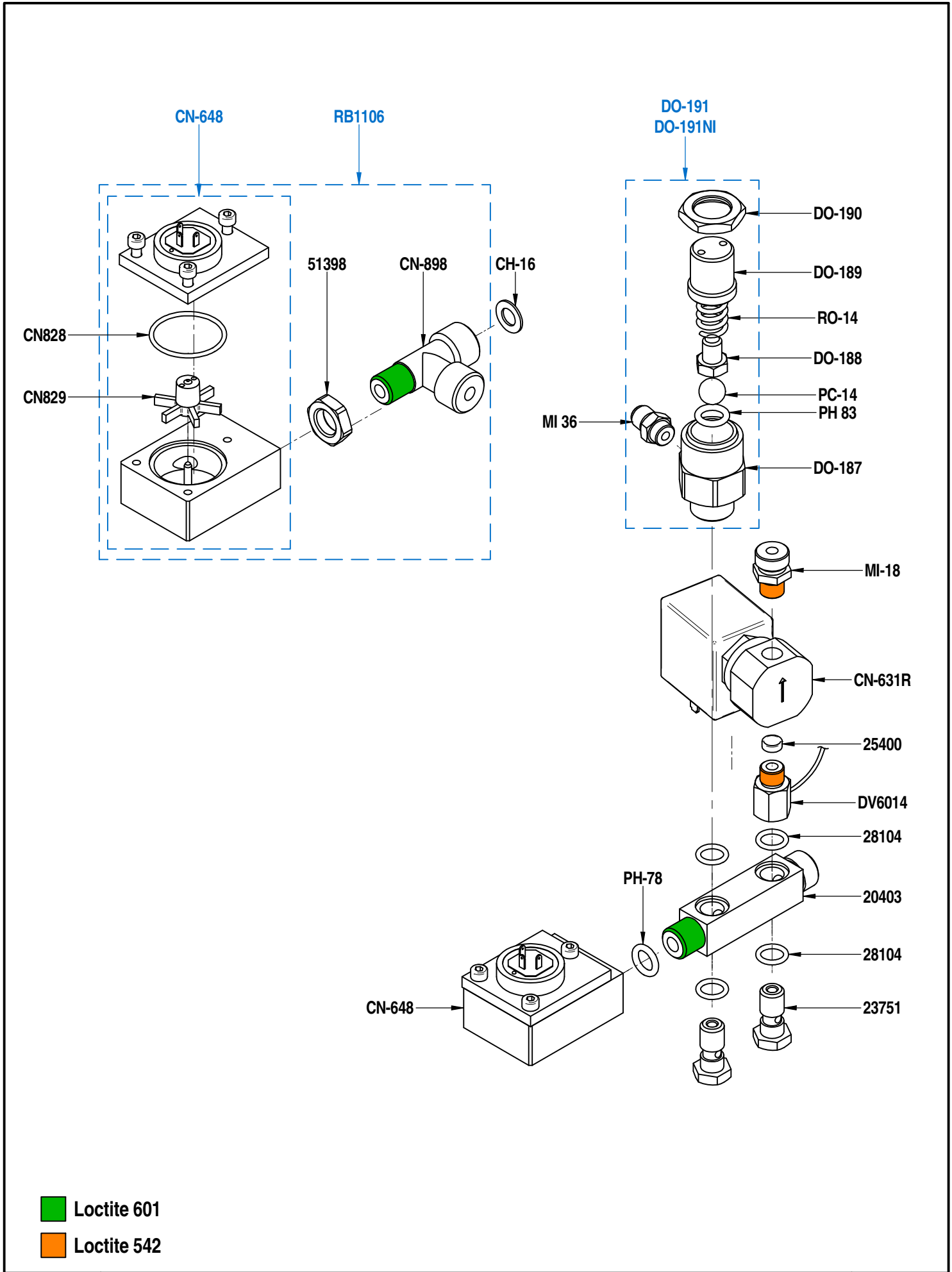


 Loctite 601

 Loctite 542

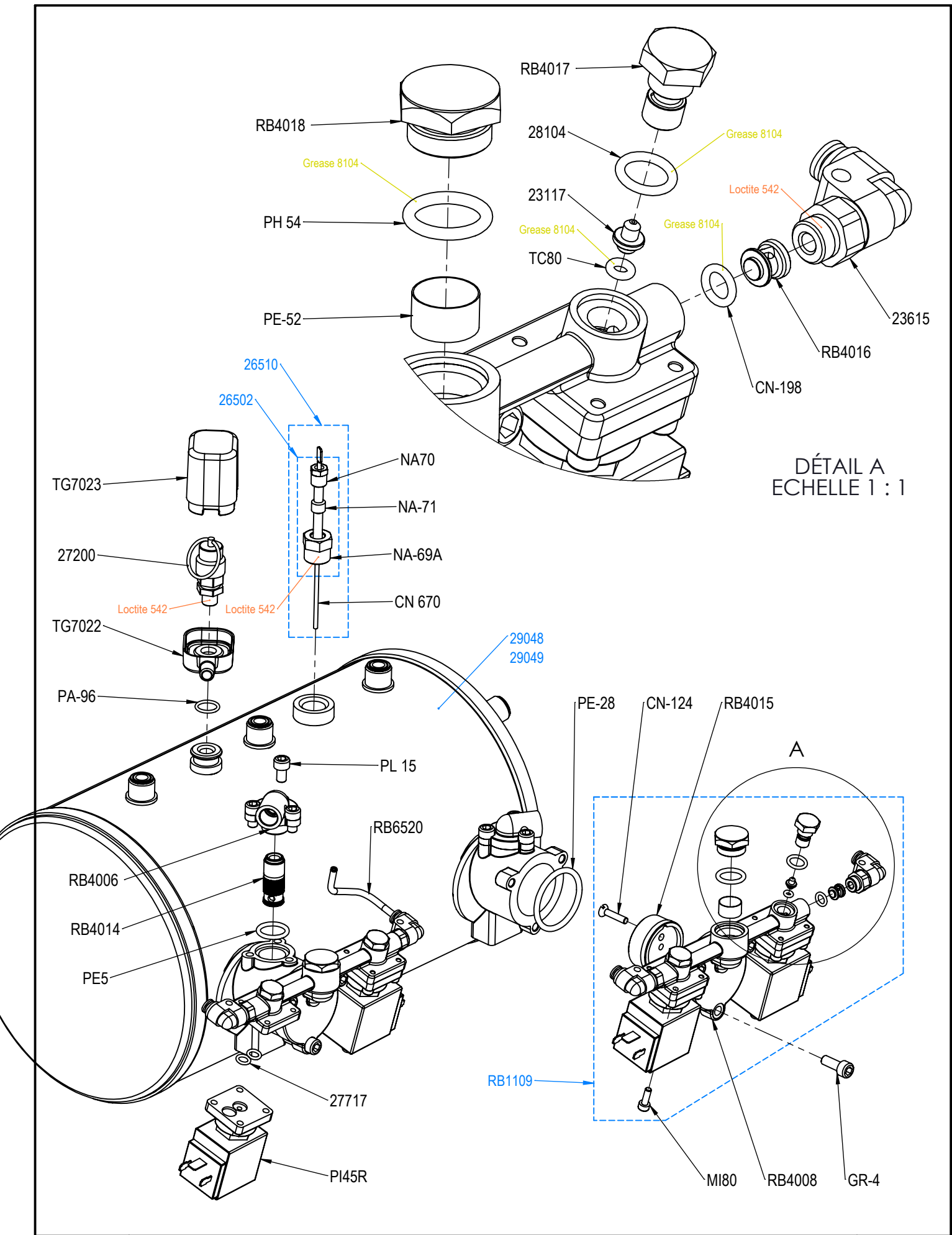
## PLANCHE - PLATE 331

<b>REF</b>	<b>ELUX</b>	<b>DESIGNATIONS FR</b>	<b>DESIGNATIONS GB</b>
20403		RACCORD NOURRICE 3/8M-1/4M	<i>FITTING 3/8M-1/4M</i>
23751	0UN088	AXE DE BANJO 1/8	<i>BANJO SCREW</i>
25400	0UN124	FILTRE INOX	<i>FILTER</i>
28104	0UN146	JOINT TORIQUE 2X9,5 FKM 80SH	<i>GASKET 2X9,5</i>
51398		CONTRE ECROU M14 X 125	<i>LOCKNUT M14 X 125</i>
CH-16		JOINT CUIVRE RECUIT 3/8	<i>WASHER - COPPER - 3/8</i>
CN-631R	0UN029	EV 2V REGL. 24V-50/60Hz	<i>ELECTROVALVE 2W ADJ. 24V-50/60Hz</i>
CN-648	0UN109	COMPTEUR VOLUMETRIQUE	<i>WHOLE W.DOSING DEVICE</i>
CN-828	0UN006	JOINT TORIQ DESSUS DOSEUR EAU	<i>GASKET - DOSING DEVICE</i>
CN-829	0UN086	TURBINE DE COMPTEUR VOLUMETR.	<i>TURBINE</i>
CN-898		RACCORD TE 3/8-3/8-1/4	<i>TEE 3/8-3/8-1/4</i>
DO-187		CORPS DE SOUPAPE	<i>VALVE BODY</i>
DO-188		TIGE DE SOUPAPE	<i>VALVE PISTON</i>
DO-189		ECROU DE SOUPAPE	<i>VALVE NUT</i>
DO-190		CONTRE ECROU M18 X 100	<i>NUT M18 X 100</i>
DO-191	0UN136	SOUPAPE H.P. COMPLETE	<i>COMPLET H.P. VALVE</i>
DV-6014		TUBE CUIVRE MANOMETRE HP	<i>PIPE HP MANOMETER</i>
MI-18		RACCORD MM 1/4 - 1/8 G	<i>FITTING - 1/8 x 1/4</i>
MI-36		RACCORD 1/8M 1/8M	<i>CONNECTION 1/8</i>
PH-78		JOINT TORIQUE 2,62X9,13 EPDM	<i>O RING - 9,13 X 2,62</i>
PH-83		JOINT TORIQUE 2,62X9,19 PTFE	<i>O RING 9,19 X 2,62 PTFE</i>
RB1106		ENSEMBLE DOSEUR TE (PONY 4)	<i>T DOSER (PONY 4)</i>
RO-14		RESSORT F20/10L26.5 D13 P5	<i>SPRING</i>



## PLANCHE - PLATE 340

<b>REF</b>	<b>ELUX</b>	<b>DESIGNATIONS FR</b>	<b>DESIGNATIONS GB</b>
23117	0UN134	GICLEUR DIAM:0,7	JET DIAM. 0.7
23615	0UN120	RACCORD RAPIDE COUDE D:4 F-1/8G	ELBOW QUICK FITTING D:4 F-1/8G
26502		ENSEMBLE NIVEAU SONDE 3/8	LEVEL PROBE 3/8 SET
26510		SONDE DE NIVEAU L=130	LEVEL PROBE
27717		JOINT TORIQUE 1,78 X 6,07	GASKET 1.78 X 6.07
27845	0UN144	JOINT TORIQUE 2.62 X 17.13	O-RING 2.62 X 17.13
28104	0UN146	JOINT TORIQUE 2X9,5 FKM 80SH	GASKET 2X9,5
29048		CHAUDIERE INJECTION PONY 2	1 UNIT BOILER
29049		CHAUDIERE INJECTION PONY 4	2 UNITS BOILER
CN-124		VIS INOX TF 4 x 20	SCREW M4 X 20
CN-198		JOINT TORIQUE 1,78X6,07 FKM	GASKET - 6.07 x 1.78
CN-670		SONDE NIVEAU BAS INOX L=130	LEVEL PROBE L=130
GR-4		VIS CHC M6 X 16	SCREW M6 X 16
MI-80		VIS TCHC M4x12 INOX	SCREW M4 X 12
NA-69A		PORTE SONDE EN LAITON	PROBE HOLDER CONNECTION
NA-70		BLOCAGE ELECTRODE NIVEAU AUTO	LEVEL PROBE COMPRESSION NUT
NA-71		PORTE-ELECTRODE EN TEFLON	LEVEL PROBE INSULATION
PA-96		JOINT TORIQUE 1,78X12,42 EPDM	GASKET 1.78 X 12.42
PE-28	0UN102	JOINT TORIQUE 3,53X36,09 FKM	GASKET - 36.09 x 3.53
PE-52		FILTRE BOUCHON DE BILLE	BALL PLUG FILTER
PH-54	0UN133	JOINT TORIQUE 2,62X13,95 EPDM	O RING - 13.95 x 2.62
PI-45R		ELECTROVANNE 3V 24V-50/60Hz	ELECTROVALVE 3W 24V-50/60Hz
PL-15		VIS TCHC M6x10 INOX	SCREW M6 X 10
RB1109		ENSEMBLE BRIDE EV CAFE VERTICALES ESE	VERTICAL ELECTROVALVE COFFEE & FLANGE
RB4006		RACCORD CHAUDIERE PONY 2,4	BOILER FITTING
RB4008		BRIDE PONY 2,4 EV CAFE	FLANGE EV COFFEE
RB4014		TUBE PTFE TORINO ESE	PTFE PIPE
RB4015		ISOLANT PTFE 15.5 MM ESE	PTFE INSULATOR
RB4016		BOUCHON CIRCUIT EVKF	CIRCUIT PLUG EVKF
RB4017		PORTE GICLEUR PONY 2,4	GICLUER HOLDER
RB4018		BOUCHON FILTRE PONY 2,4	FILTER PLUG
RB6520		TUBE PTFE EV CAFE L:83 MM	PTFE PIPE COFFEE ELECTROVALVE
TC-80		JOINT TORIQUE 1,78X2,90 FKM	GASKET 1.78X2.90 FKM
TG7022		PROTECTION SOUPAPE	VALVE PROTECTION
TG7023		COUVERCLE PROTECTION SOUPAPE	COVER VALVE PROTECTION

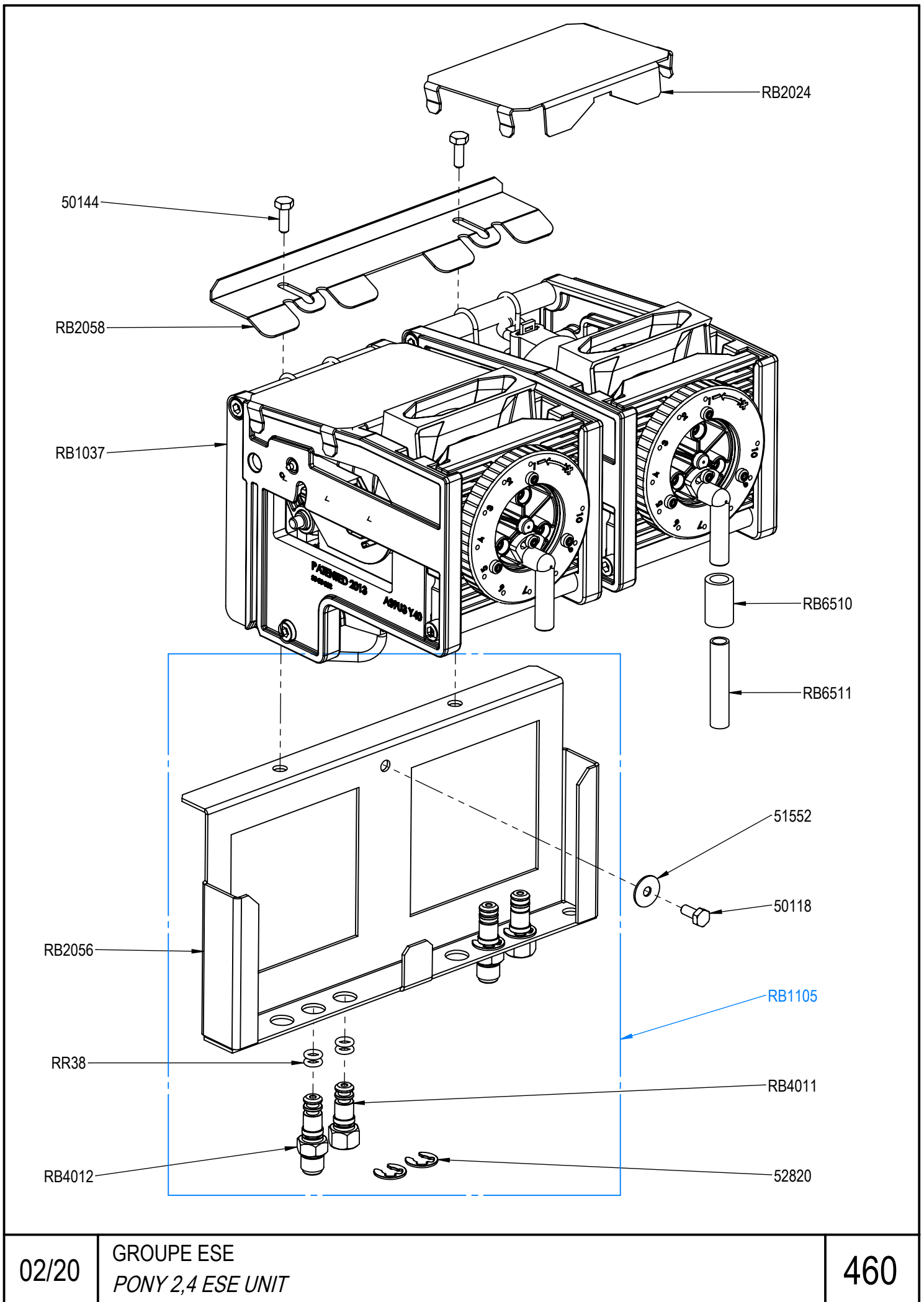


DÉTAIL A  
ECHELLE 1 : 1

## PLANCHE - PLATE 460

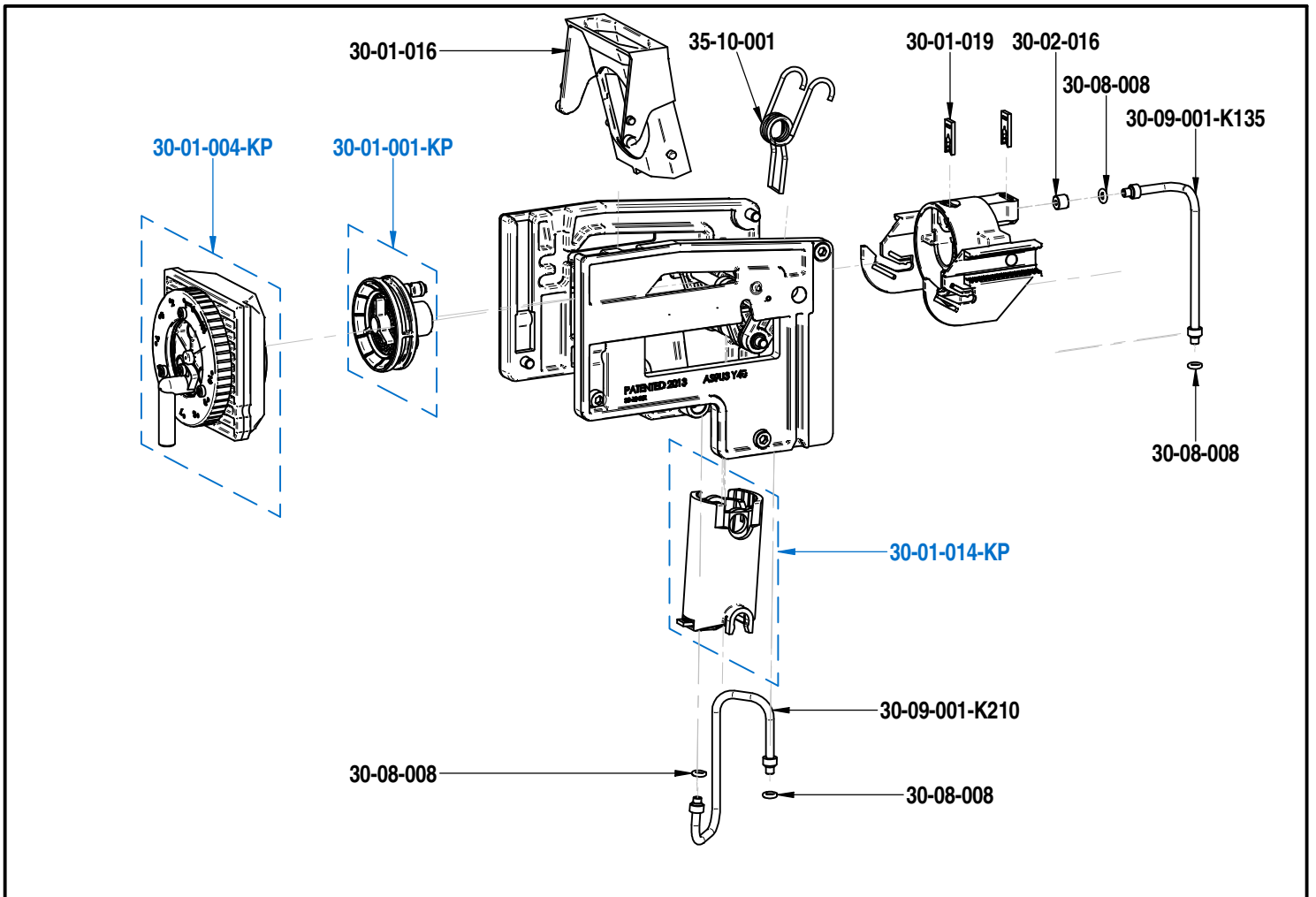
<b>REF</b>	<b>ELUX</b>	<b>DESIGNATIONS FR</b>	<b>DESIGNATIONS GB</b>
50118		VIS TH M4X10 INOX	S.STEEL SCREW M4X10
50144		VIS TH M4 X 12 INOX	S.STEEL SCREW M4X12
51552		RONDELLE INOX 4.25x14x0.8	S..STEEL WASHER 4.25x14x0.8
52820	0UN072	CIRCLIP TYPE E GORGE D7	SNAP RING TYPE E D7
RB1037	0UN009	GROUPE COMPLET ESE	FULL ESE UNIT
RB1105		ENSEMBLE SUPPORT GROUPE ESE	UNIT HOLDER SET
RB2024		TOLE PROTECTION DEBRIS	DEBRIS PROTECTION SHEET
RB2056		SUPPORT DOUBLE GROUPE	2 UNITS HOLDER
RB4011		RACCORD RAPIDE CAFE GROUPE	QUICK CONNECT COFFEE GROUP
RB4012		RACCORD RAPIDE PISTON GROUPE	QUICK CONNECT PISTON GROUP
RB6510	0UN007	MANCHON SILICONE SORTIE CAFE L:20 MM	SILICONE SLEEVE COFFEE OUTLET
RB6511		TUBE PTFE SORTIE CAFE L:100 MM	PTFE PIPE COFFEE OUTLET
RR-38	0UN119	JOINT TORIQUE 1,78X4,48 EPDM	GASKET - 4,48 X 1,78



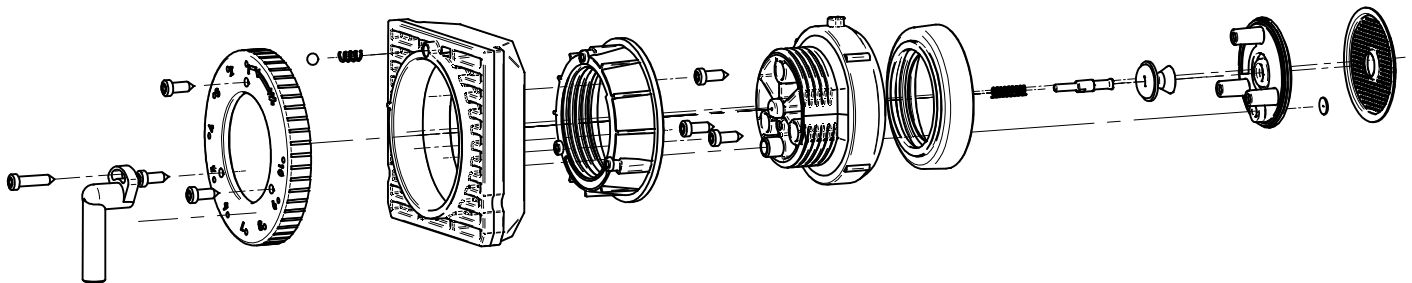


## PLANCHE - PLATE 461

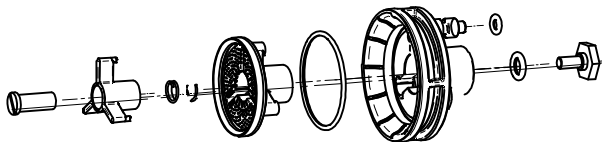
<b>REF</b>	<b>ELUX</b>	<b>DESIGNATIONS FR</b>	<b>DESIGNATIONS GB</b>
30-01-001-KP		TETE D'ENTREE COMPLETE	WHOLE HEAD INLET
30-01-004-KP		TETE DE SORTIE COMPLETE	WHOLE HEAD OUTLET
30-01-014-KP		PISTON / CYLINDRE COMPLET	PISTON / CYLINDER FULL
30-01-016		ETRIER	BRACKET
30-01-019		CLIPS	CLIPS
30-02-016		ENTRETOISE	BRACE
30-08-008		JOINT 3.9 X 1.8 SILICONE ROUGE	RED GASKET
30-09-001-K135		TUYAU CAFE COMPLET	COFFEE PIPE FULL
30-09-001-K210		TUYAU VERIN COMPLET	JACK PIPE FULL
35-10-001		RESSORT DE RAPPEL GROUPE	RETURN SPRING GROUPE



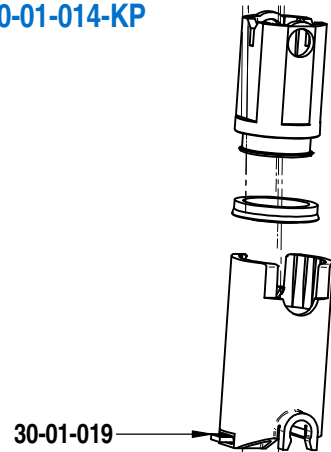
**30-01-004-KP**



**30-01-001-KP**

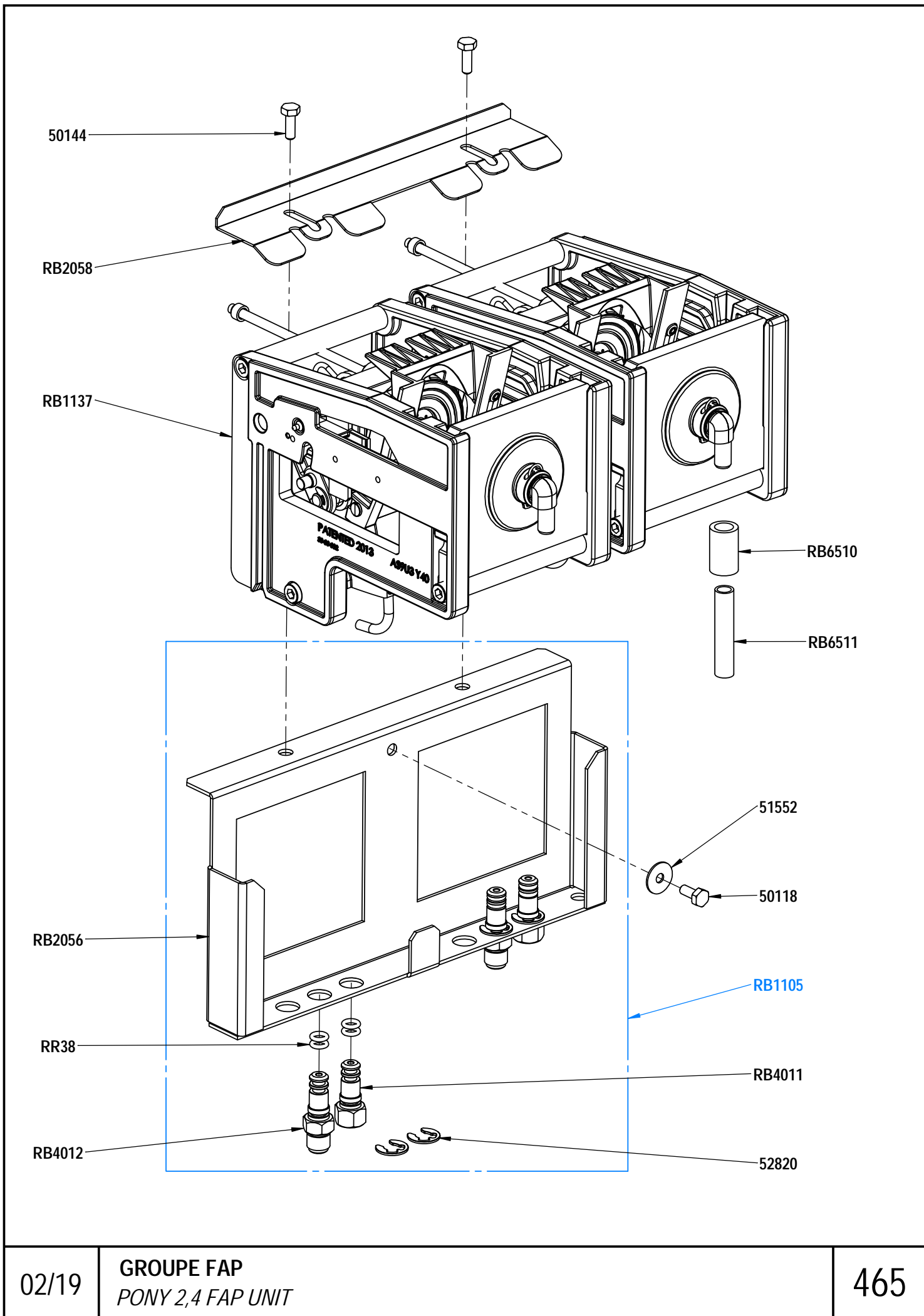


**30-01-014-KP**



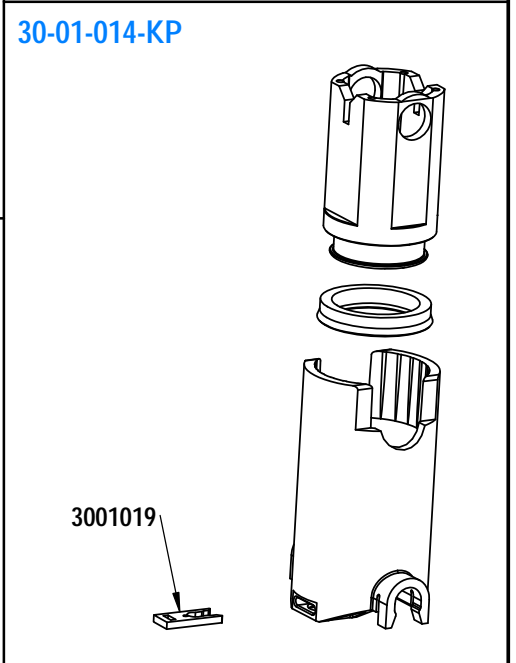
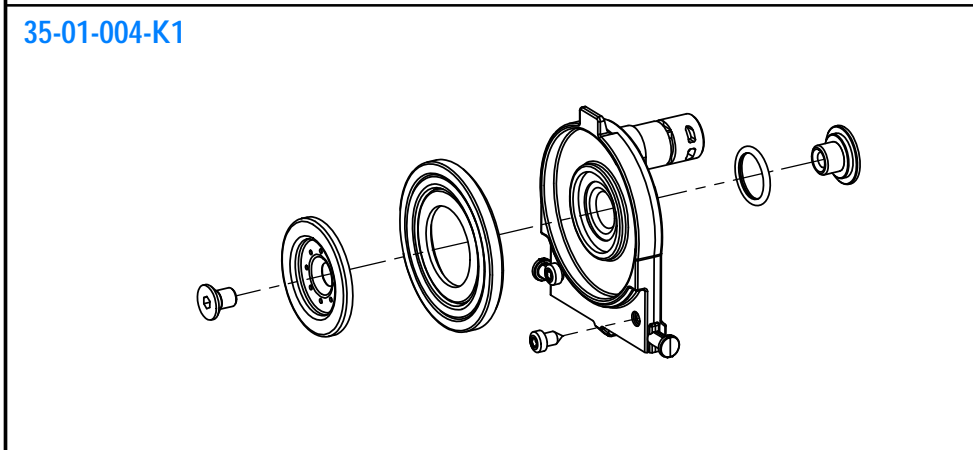
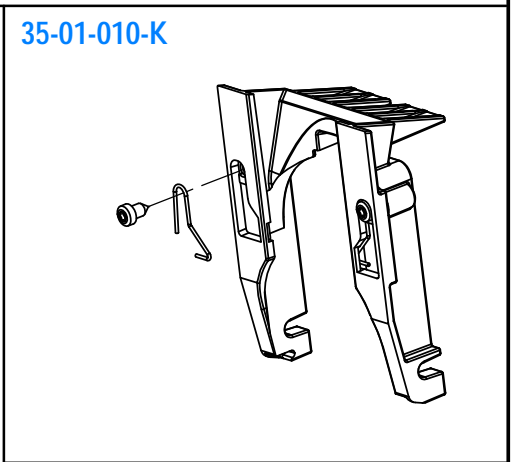
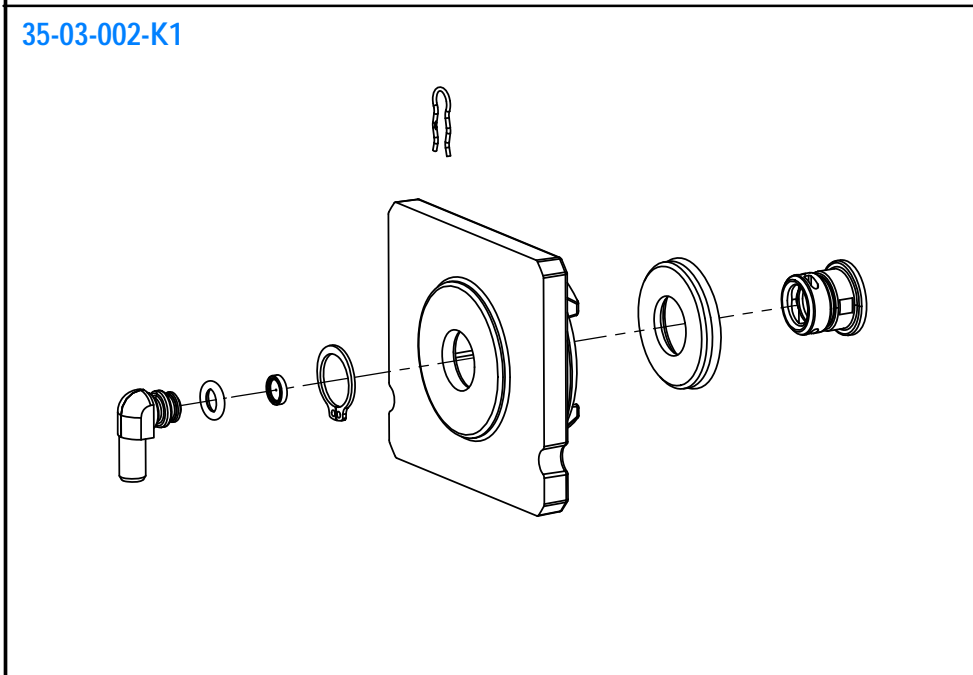
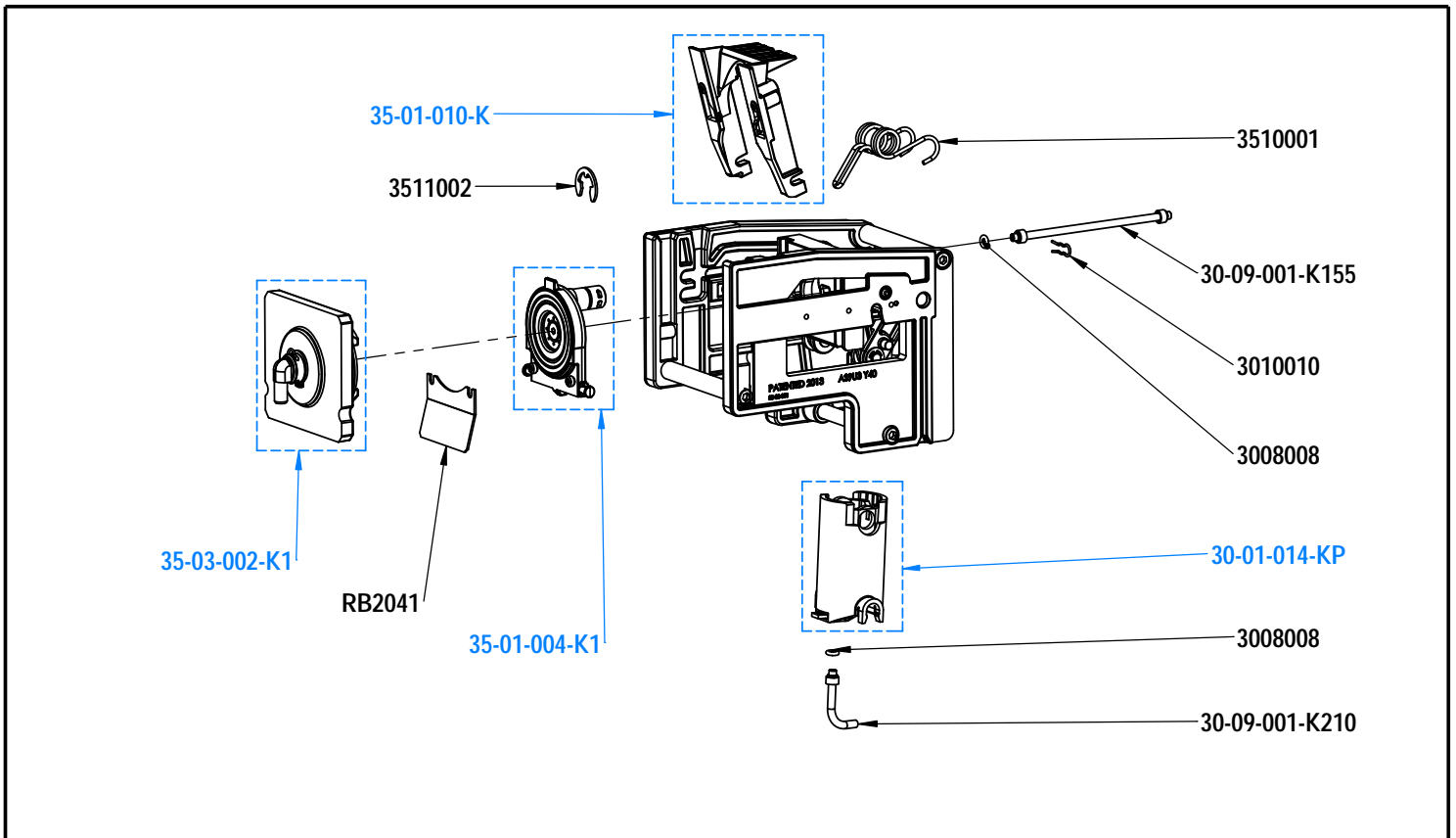
## PLANCHE - PLATE 465

<b>REF</b>	<b>ELUX</b>	<b>DESIGNATIONS FR</b>	<b>DESIGNATIONS GB</b>
50118		VIS TH M4X10 INOX	S.STEEL SCREW M4X10
50144		VIS TH M4 X 12 INOX	S.STEEL SCREW M4X12
51552		RONDELLE INOX 4.25x14x0.8	S..STEEL WASHER 4.25x14x0.8
52820	0UN072	CIRCLIP TYPE E GORGE D7	SNAP RING TYPE E D7
RB1137		GRUPE COMPLET FAP	FULL FAP UNIT
RB1105		ENSEMBLE SUPPORT GROUPE ESE	UNIT HOLDER SET
RB2056		SUPPORT DOUBLE GROUPES	2 UNITS HOLDER
RB4011		RACCORD RAPIDE CAFE GROUPE	QUICK CONNECT COFFEE GROUP
RB4012		RACCORD RAPIDE PISTON GROUPE	QUICK CONNECT PISTON GROUP
RB6510	0UN007	MANCHON SILICONE SORTIE CAFE L:20 MM	SILICONE SLEEVE COFFEE OUTLET
RB6511		TUBE PTFE SORTIE CAFE L:100 MM	PTFE PIPE COFFEE OUTLET
RR-38	0UN119	JOINT TORIQUE 1,78X4,48 EPDM	GASKET - 4,48 X 1,78



## PLANCHE - PLATE 466

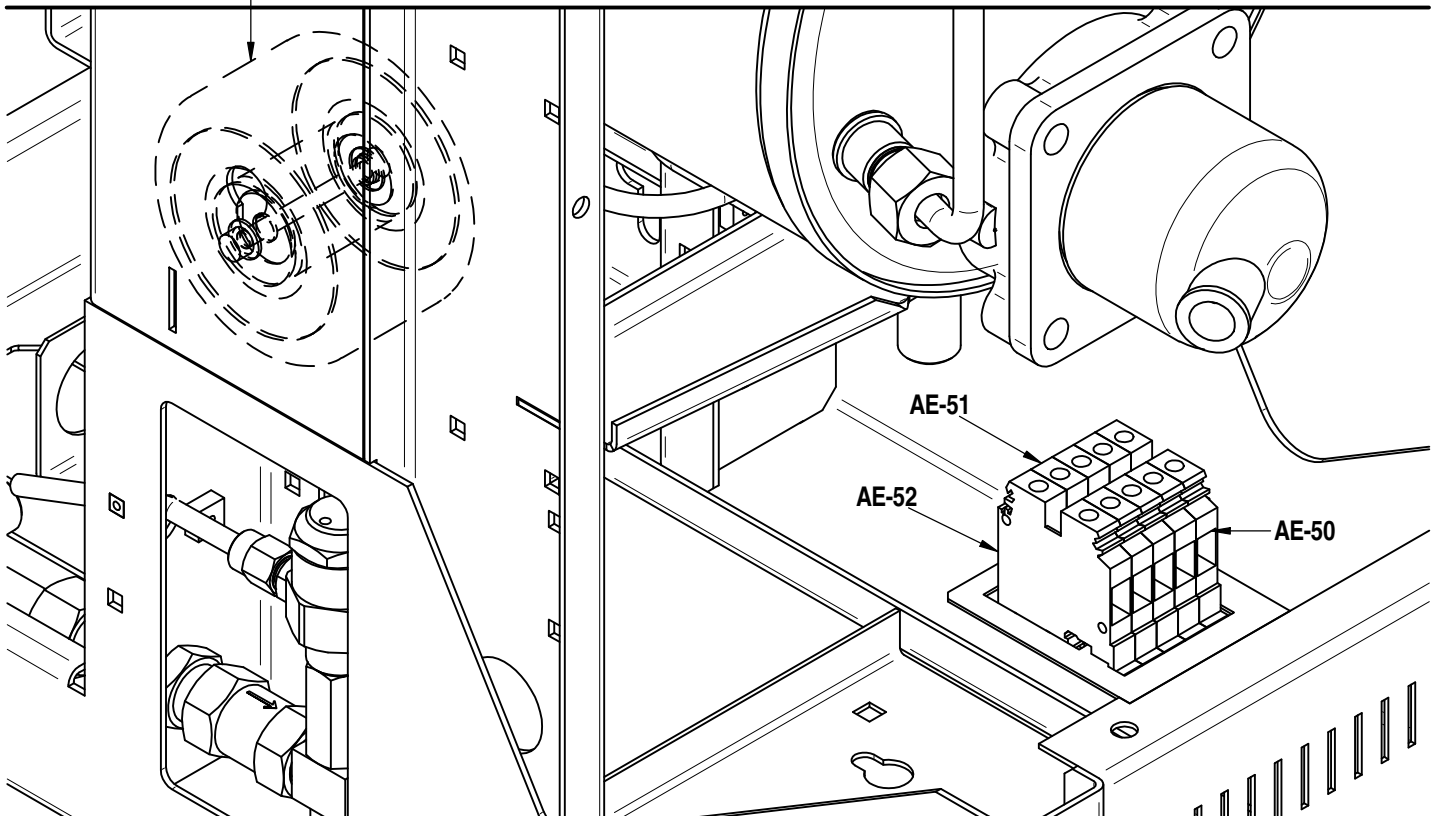
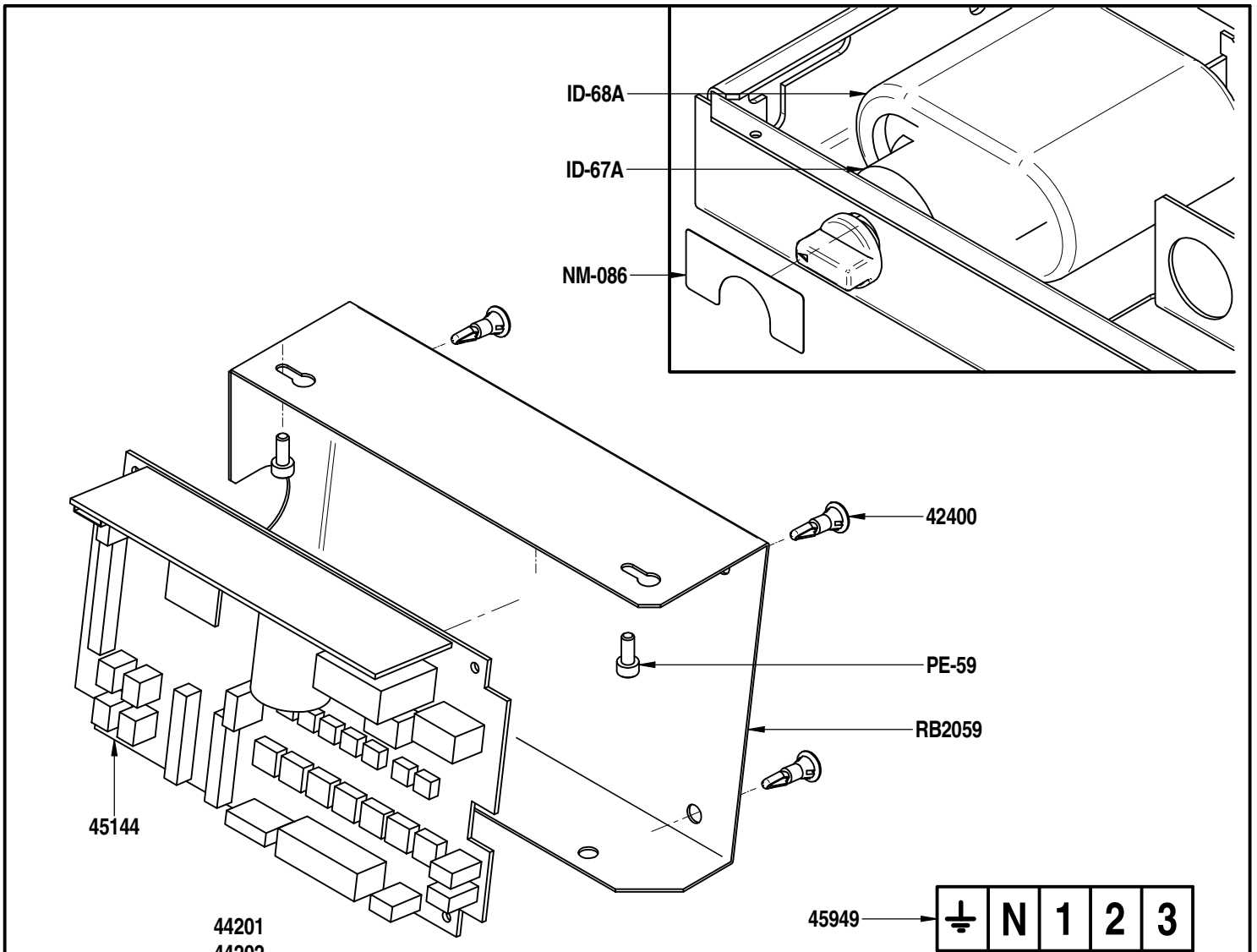
<b>REF</b>	<b>ELUX</b>	<b>DESIGNATIONS FR</b>	<b>DESIGNATIONS GB</b>
30-01-014-KP		PISTON / CYLINDRE COMPLET	<i>PISTON / CYLINDER FULL</i>
30-01-019		CLIP NOIR RACCORD	<i>BLACK CLIP</i>
30-08-008		JOINT 3,4 X 1,9 SILICONE 70SH FDA	<i>FDA O'RING</i>
30-09-001-K155		TUYAU CAFE COMPLET	<i>COFFEE PIPE FULL</i>
30-09-001-K210		TUYAU VERIN COMPLET	<i>JACK PIPE FULL</i>
30-10-010		GOUPILLE INOX POUR Ø4	<i>Ø4 PIN</i>
35-01-004-K1		ASSEMBLAGE ENTREE TETE FAP	<i>FAP INLET HEAD ASSEMBLY</i>
35-01-010-K		ASSEMBLAGE ETRIER FAP	<i>FAP BRACKET ASSEMBLY</i>
35-03-002-K1		ASSEMBLAGE TETE SORTIE FAP	<i>FAP OUTLET HEAD ASSEMBLY</i>
35-10-001		RESSORT DE RAPPEL DOUBLE	<i>DOUBLE SPRING</i>
35-11-002		ANNEAU Ø10	<i>Ø10 RING</i>
RB2041		GUIDE EJECTION CAPSULE FAP	<i>CAPSULE EJECTION GUIDE</i>



## PLANCHE - PLATE 500

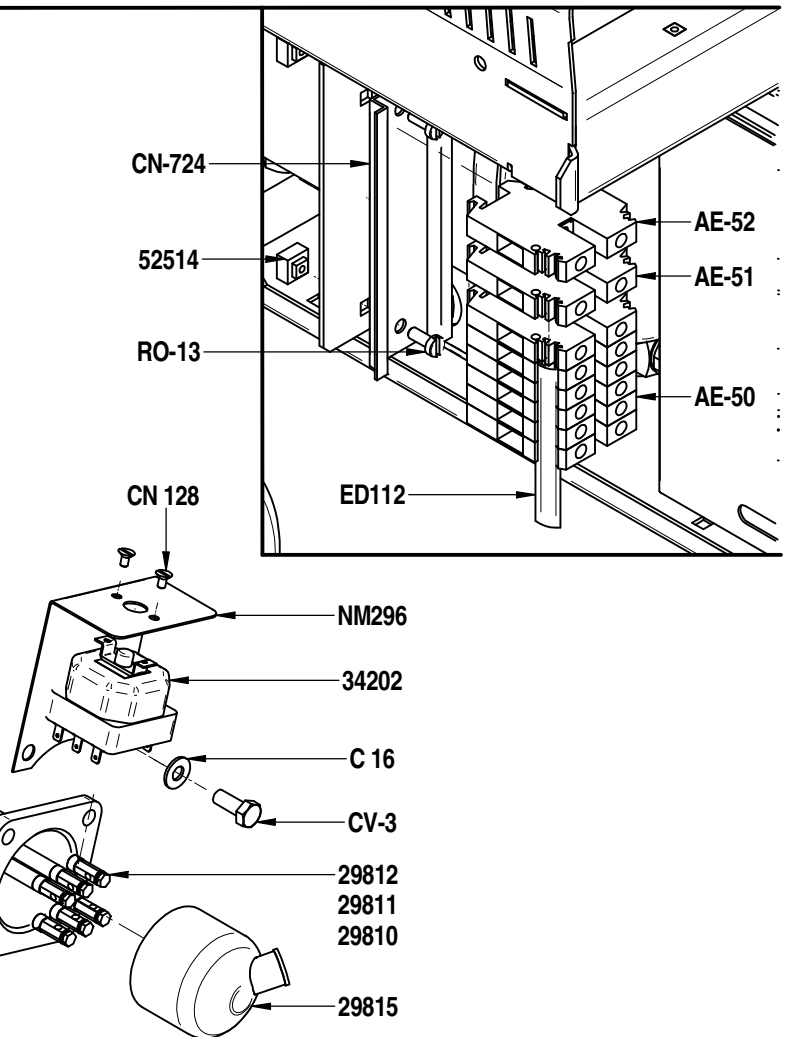
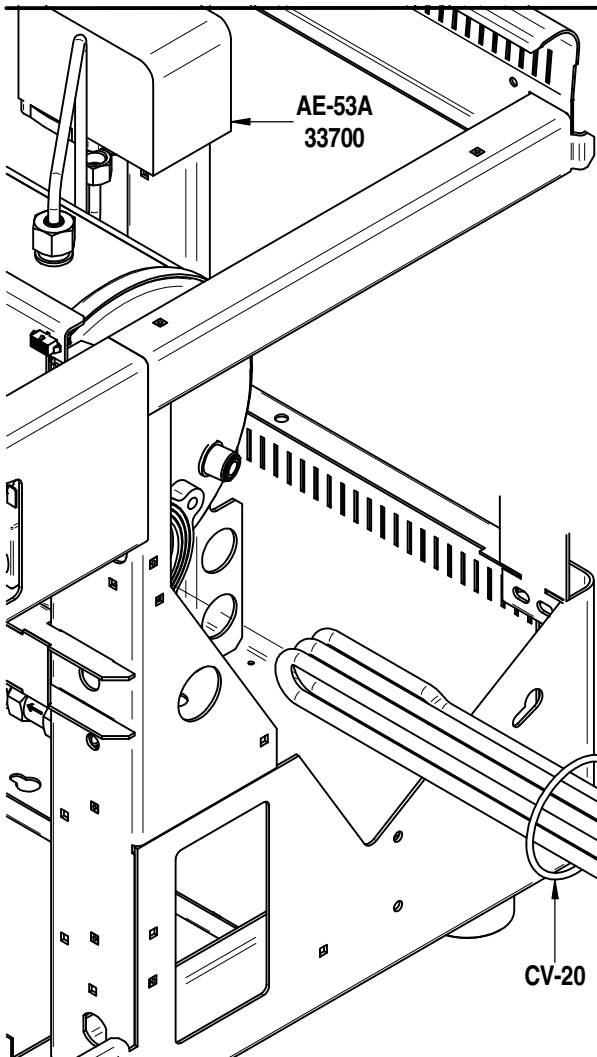
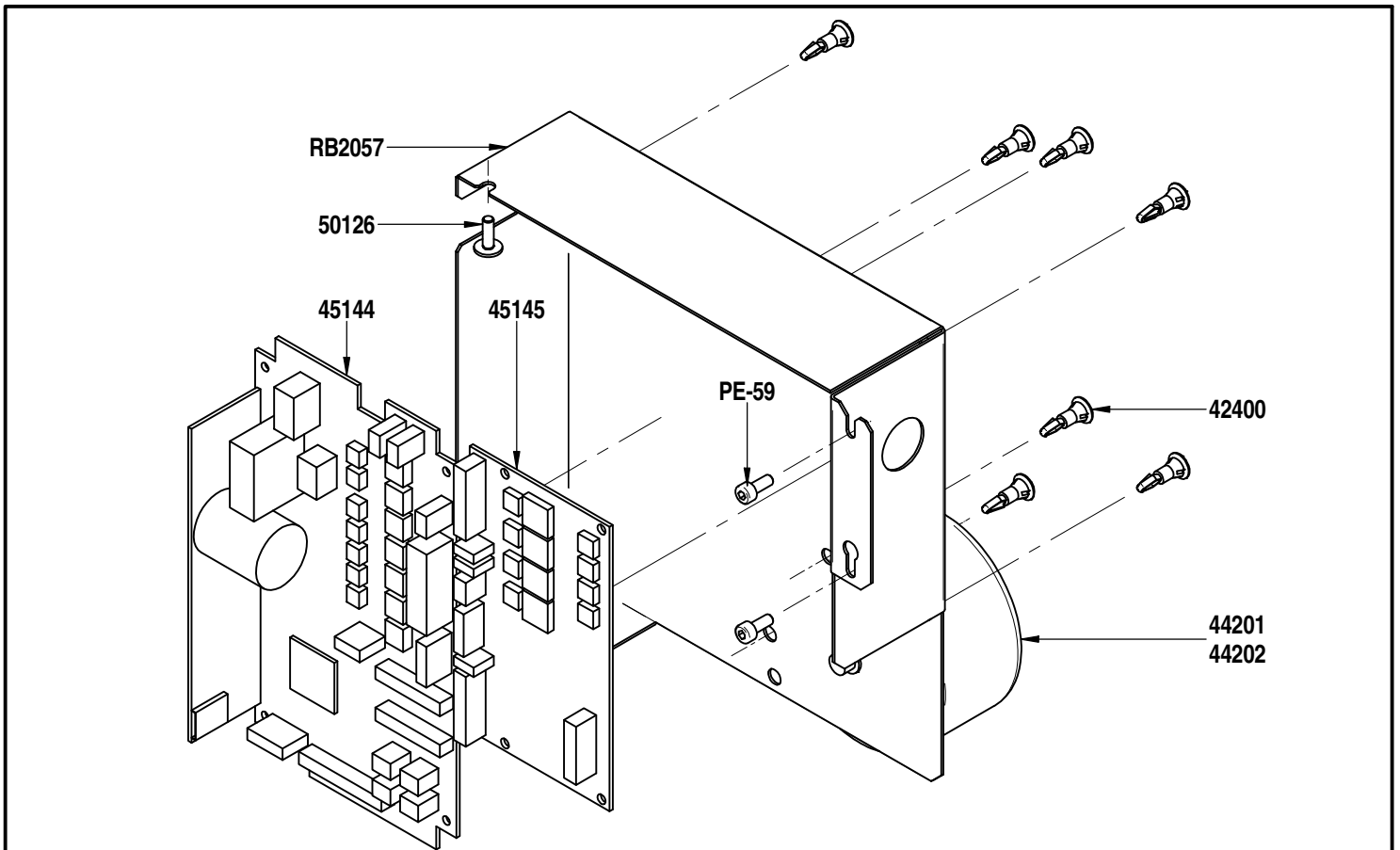
<b>REF</b>	<b>ELUX</b>	<b>DESIGNATIONS FR</b>	<b>DESIGNATIONS GB</b>
42400		ENTRETOISE PLASTIQUE FIX CARTE	PLASTIC PCB SUPPORT
44201	0UN018	TRANSFO TOROIDAL 70 Va/230V-24V PONY 2,4	TRANSFORMER 70 Va / 230V-24V PONY 2,4
44202		TRANSFO TOROIDAL 70 Va/110V-24V PONY 2,4	TRANSFORMER 70 Va / 110V-24V PONY 2,4
45144		CARTE CPU POUR 1 ET 2 GR	1 AND 2 UNITS CPU
45949		ETIQUETTE BORNIER	TERMINAL STICKER
AE-50		BORNIER GM GRIS	TERMINAL BLOCK GREY
AE-51		BORNIER GM BLEU	TERMINAL BLOCK BLUE
AE-52		BORNIER TERRE VERT-JAUNE	TERMINAL BLOCK - GREEN/YELLOW
ID-67A		COMMUTATEUR A1700 UL/CSA	SWITCH A1700 UL/CSA
ID-68A		CACHE DE COMMUTATEUR	TERMINAL COVER
NM-086		ADHESIF POUR COMMUTATEUR	STICKER
PE-59		VIS TCHC M4x10 INOX	SCREW 4 X 10
RB2059		SUPPORT DOUBLE GROUPES	2 UNITS HOLDER

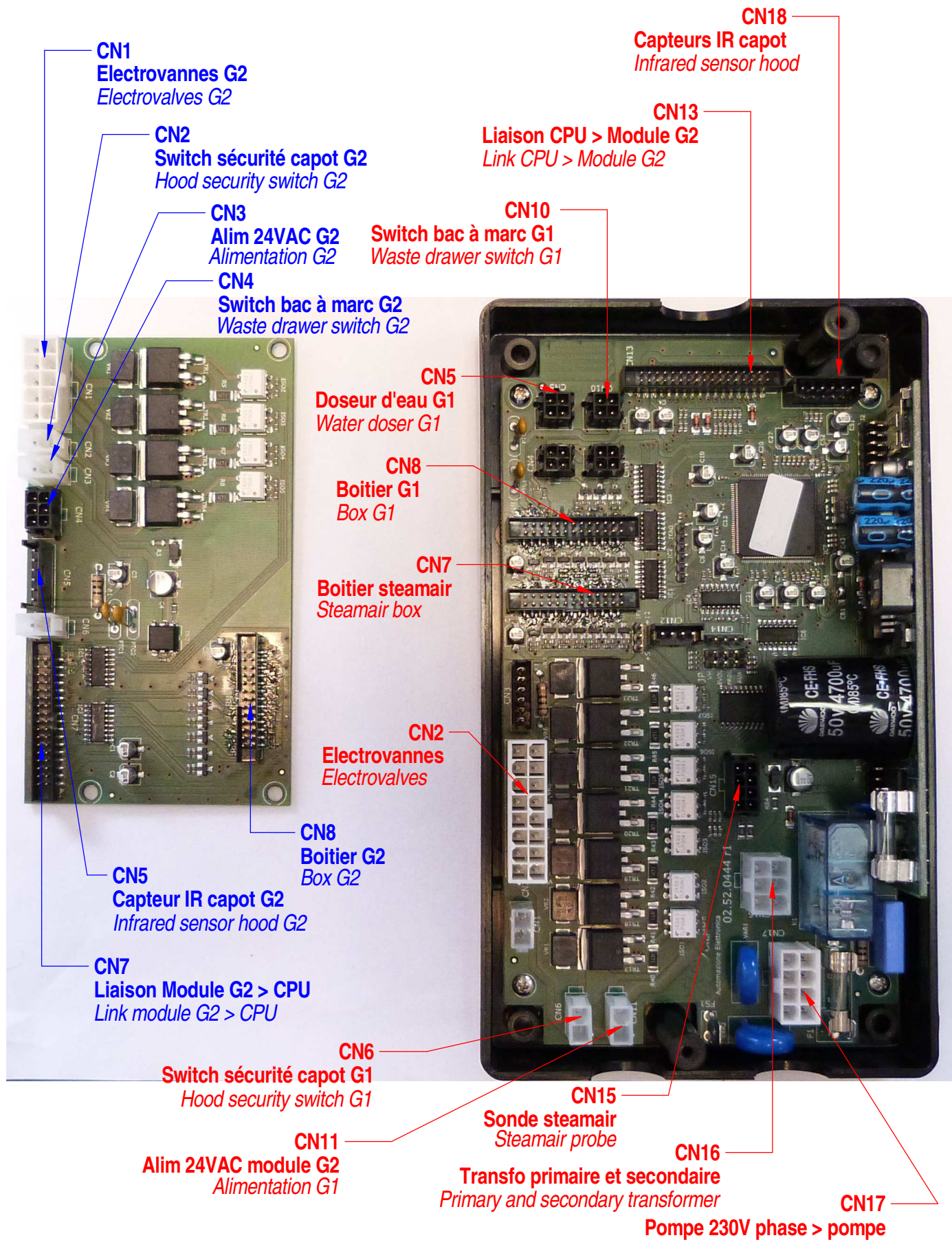




## PLANCHE - PLATE 501

REF	ELUX	DESIGNATIONS FR	DESIGNATIONS GB
29810		ELEMENT CHAUFFANT 110V-1500W	HEATING ELEMENT 110V-1500W
29811		ELEMENT CHAUFFANT 230V 2730W	HEATING ELEMENT 230V 2730W
29812	0UN083	ELEMENT CHAUFFANT 230V4370W	HEATING ELEMENT 230V 4370W
29815		CACHE RESISTANCE	INSULATOR BOOT
33700	0UN079	PRESSOSTAT A CONTACT SEC	PRESSURESTAT
34202	0UN077	THERMOSTAT SECURITE 160C TRI UL	THERMOSTAT 160C UL
42400		ENTRETOISE PLASTIQUE FIX CARTE	PLASTIC PCB SUPPORT
44201	0UN018	TRANSFO TOROIDAL 70 Va/230V-24V PONY 2,4	TRANSFORMER 70 Va / 230V-24V PONY 2,4
44202		TRANSFO TOROIDAL 70 Va/110V-24V PONY 2,4	TRANSFORMER 70 Va / 110V-24V PONY 2,4
45144		CARTE CPU POUR 1 ET 2 GR	1 AND 2 UNITS CPU
45145		MODULE POUR 2GR	2 UNITS MODULE
50126		VIS TB CRUCIFORME A EMBASE M4 x 12	CRUCIFORM SCREW M4 x 12
52514	0UN037	ECROU RAPIDE M4 EP:2	NUT M4
AE-50		BORNIER GM GRIS	TERMINAL BLOCK GREY
AE-51		BORNIER GM BLEU	TERMINAL BLOCK BLUE
AE-52		BORNIER TERRE VERT-JAUNE	TERMINAL BLOCK - GREEN/YELLOW
AE-53A		PRESSOSTAT HOMOLOGUE UL	PRESSURESTAT UL - SIRAI
C-16		RONDELLE ACIER NICKELE M8	WASHER 8
CN-128		VIS INOX TF M4 X 8	SCREW M4 X 8
CN-724		SUPPORT BORNIER L=95 mm	RAIL
CV-20		JOINT TORIQUE 3,53X66,68 FKM	GASKET - 66.68 x 3.53
CV-3		VIS TH M8 x 20 INOX	S.STEEL SCREW M8 x 20
ED-112		ETIQUETTE BORNIER	TERMINAL STICKER
NM-296		SUPPORT THERMOSTAT	THERMOSTAT HOLDER
PE-59		VIS TCHC M4x10 INOX	SCREW 4 X 10
RB2057		SUPPORT DOUBLE GROUPES	2 UNITS HOLDER
RO-13		VIS INOX TC 4 x 10	SCREW M4 X 10 -



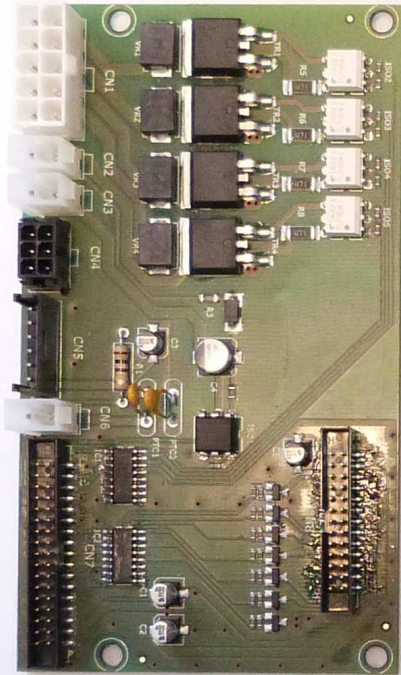
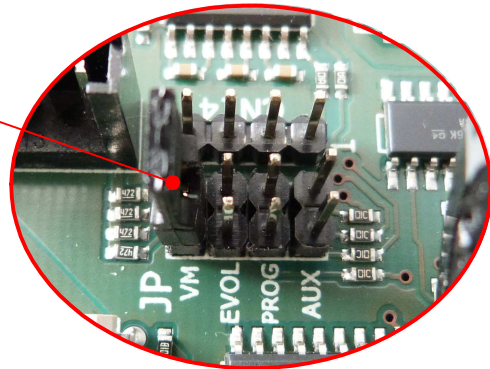


45145

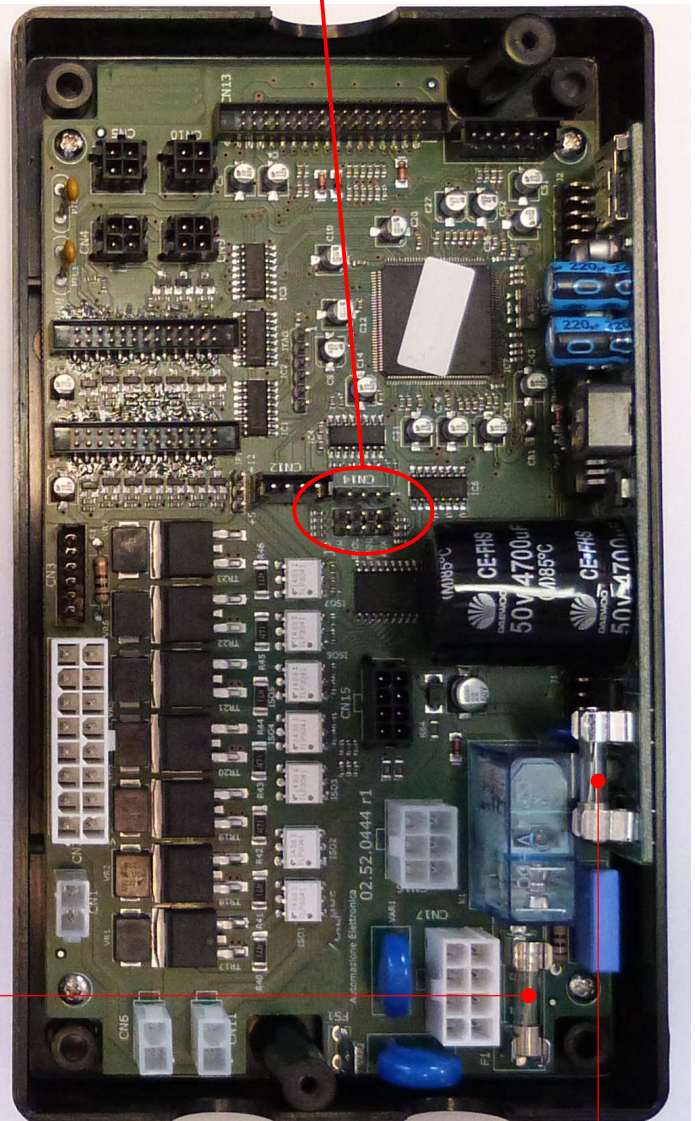
45144



**VM, pour vapeur manuelle**  
**Machine sans Steamair**  
*VM, for manual steam*  
*Machine without Steamair*



**43112**  
**Fusible Pompe F1, T10A 250V**  
*Fuse pump F1, T10A 250V*



**43102**  
**Fusible F2, T4A 250V**  
*Fuse F2, T4A 250V*

**45145**

**45144**

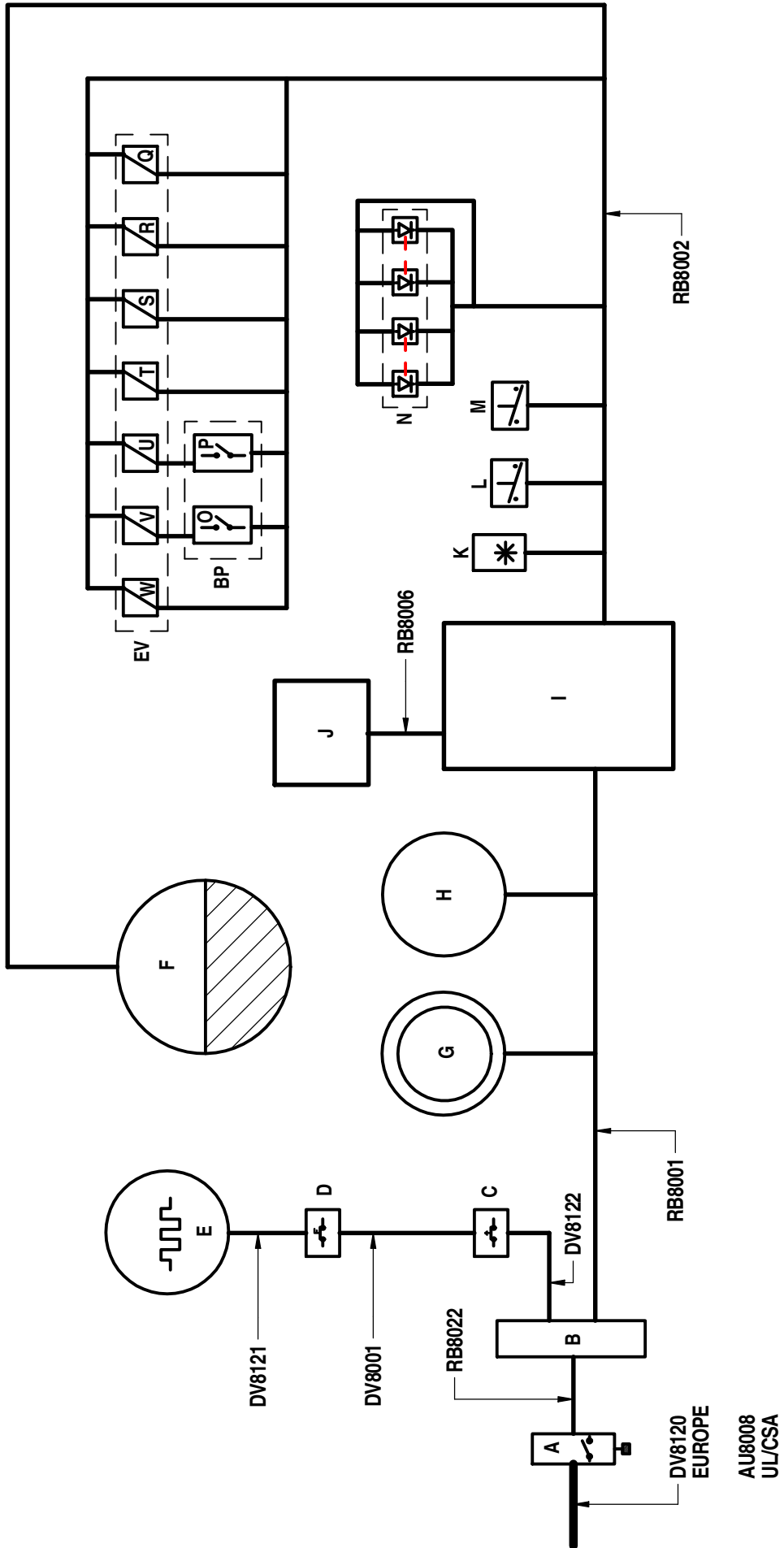
03/20

**FUSIBLES CARTE CPU**  
*CPU CARD FUSES*

503

## PLANCHE - PLATE 510

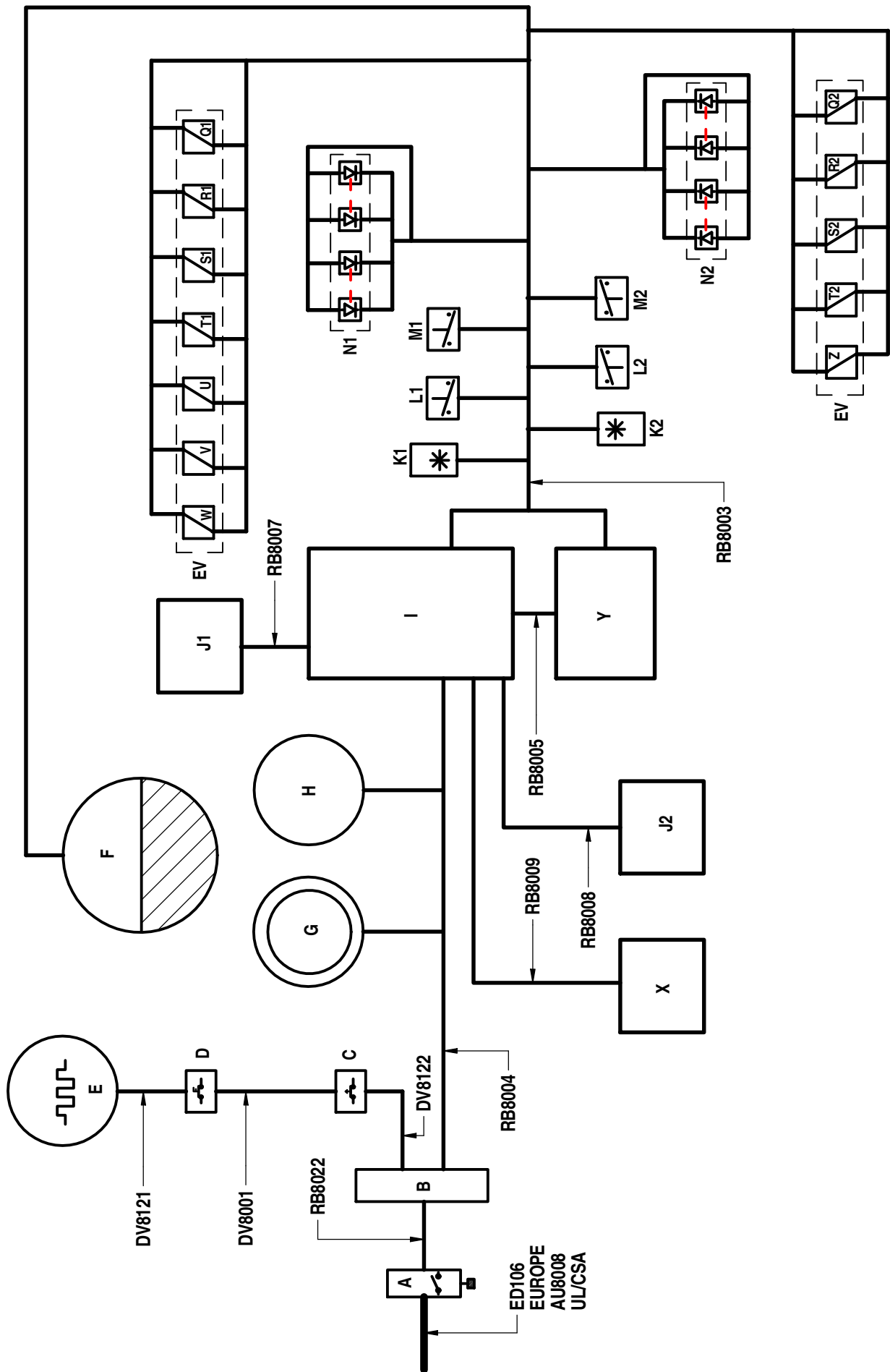
REF	ELUX	DESIGNATIONS FR	DESIGNATIONS GB
AU8008		CÂBLE D'ALIMENTATION GÉNÉRALE UL	UL GENERAL FEEDING CABLE
DV8001		CÂBLE PRESSOSTAT / SÉCURITÉ	HEATING ELEMENT PRESSURESTAT CABLE
DV8120		Câble d'alimentation générale Europe	Europe general feeding cable
DV8121		Câble thermostat de sécurité de résistance	Heating element safety thermostat cable
DV8122		Câble d'alimentation pressostat	Pressurestat feeding cable
RB8001		CABLE 230V ,POMPE ,TRANSFO 1GR	1 UNIT PUMP, TRANSFO, 230V CABLE
RB8002		CABLE EV,SECU,COMPTEUR 1 GR	1 UNIT EV, SECU, COUNTER
RB8006		CABLE NAPPE CPU CLAVIER 1GR	1 UNIT KEYBOARD CPU RIBBON CABLE
RB8022		CABLE COMMUTATEUR KONCAR BORNIER EUROPE	EUROPA SWITCH WIRE
A		Commutateur	Switch
B		Bornier	Plug
C		Pressostat	Pressurestat
D		Thermostat de sécurité	Safety thermostat
E		Resistances	Heating elements
F		Chaudière vapeur	Steam boiler
G		Moteur pompe	Pump motor
H		Transformateur	Transformer
I		Boitier CPU	CPU box
J		Ecran groupe	Unit screen
K		Doseur volumétrique	Volumetric doser
L		Microswitch tiroir bac à marc	Microswitch
M		Microswitch couvercle sécurité	Microswitch
N		Capteurs infrarouge de la sécurité capot	Sensors infrared of the safety security hood
O		Bouton poussoir eau chaude	Hot water pushbutton
P		Bouton poussoir vapeur	Steam pushbutton
Q		Electrovanne piston gauche	Left piston electrovalve
R		Electrovanne piston droite	Right piston electrovalve
S		Electrovanne café gauche	Left coffee electrovalve
T		Electrovanne café droite	Right coffee electrovalve
U		Electrovanne vapeur	Steam electrovalve
V		Electrovanne eau chaude	hot water electrovalve
W		Electrovanne remplissage	Filling electrovalve



## PLANCHE - PLATE 515

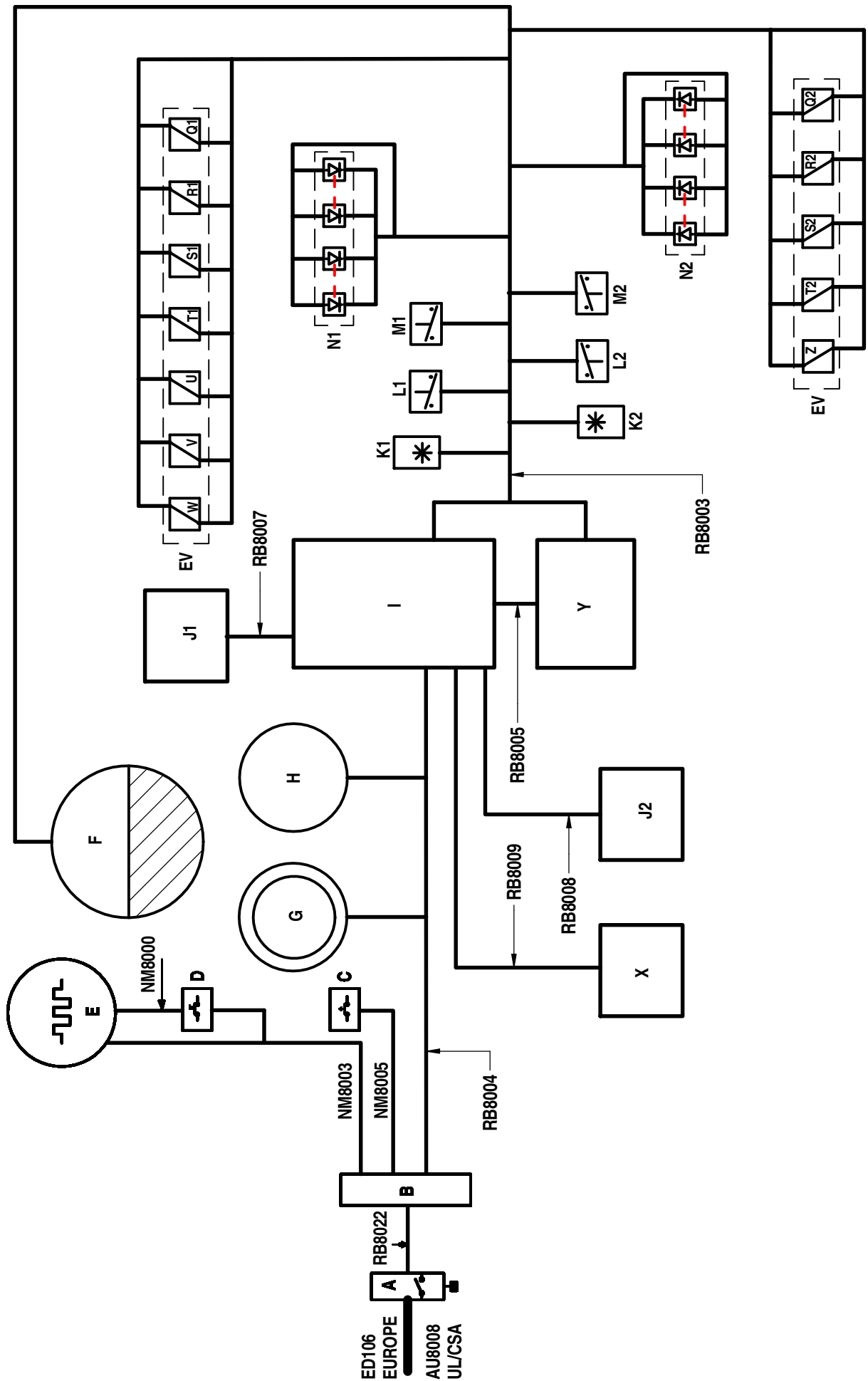
REF	ELUX	DESIGNATIONS FR	DESIGNATIONS GB
AU8008		CÂBLE D'ALIMENTATION GÉNÉRALE UL	UL GENERAL FEEDING CABLE
DV8001		CÂBLE PRESSOSTAT / SÉCURITÉ	HEATING ELEMENT PRESSURESTAT CABLE
DV8121		Câble thermostat de sécurité de résistance	Heating element safety thermostat cable
DV8122		Câble d'alimentation pressostat	Pressurestat feeding cable
ED106		Câble d'alimentation générale Europe	Europe general feeding cable
RB8003		CABLE EV,SECU,COMPTEUR 2 GR	2 UNITS EV, SECU, COUNTER
RB8004		CABLE 230V ,POMPE ,TRANSFO 2GR	2 UNITS PUMP, TRANSFO, 230V CABLE
RB8005		CABLE NAPPE CPU EXTENTION 2 GR	2 UNITS EXTENTION CPU RIBBON CABLE
RB8007		CABLE NAPPE CPU CLAVIER 2GR 1	2 UNITS KEYBOARD CPU RIBBON CABLE
RB8008		CABLE NAPPE CPU CLAVIER 2GR 2	2 UNITS KEYBOARD CPU RIBBON CABLE
RB8009		CABLE NAPPE CPU CLAVIER STEAMAIR	STEAMAIR KEYBOARD CPU RIBBON CABLE
RB8022		CABLE COMMUTATEUR KONCAR BORNIER EUROPE	EUROPA SWITCH WIRE
A		Commutateur	Switch
B		Bornier	Plug
C		Pressostat	Pressurestat
D		Thermostat de sécurité	Safety thermostat
E		Resistances	Heating elements
F		Chaudière vapeur	Steam boiler
G		Moteur pompe	Pump motor
H		Transformateur	Transformer
I		Boitier CPU	CPU box
J1/J2		Ecran groupe	Unit screen
K1/K2		Doseur volumétrique	Volumetric doser
L1/L2		Microswitch tiroir bac à marc	Microswitch
M1/M2		Microswitch couvercle sécurité	Microswitch
N1/N2		Capteurs infrarouge de la sécurité capot	Sensors infrared of the safety security hood
Q1/Q2		Electrovanne piston gauche	Left piston electrovalve
R1/R2		Electrovanne piston droite	Right piston electrovalve
S1/S2		Electrovanne café gauche	Left coffee electrovalve
T1/T2		Electrovanne café droite	Right coffee electrovalve
U		Electrovanne vapeur	Steam electrovalve
V		Electrovanne eau chaude	hot water electrovalve
W		Electrovanne remplissage	Filling electrovalve
X		Ecran steamair	Steamair screen
Y		Extention CPU 2GR	2 units CPU extention
Z		Electrovanne steamair	Steamair electrovalve





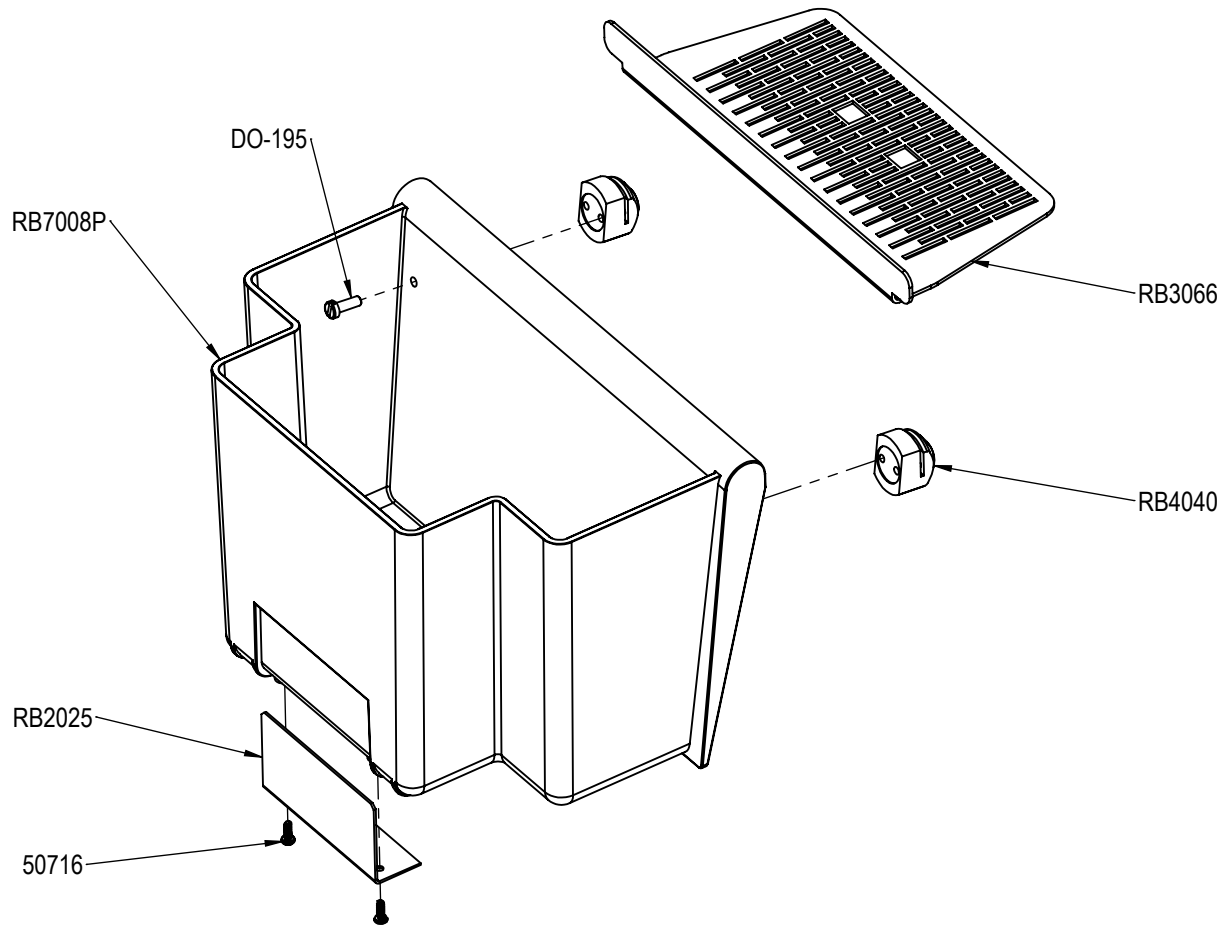
## PLANCHE - PLATE 516

REF	ELUX	DESIGNATIONS FR	DESIGNATIONS GB
NM8000		CÂBLE THERMOSTAT SÉCURITÉ RÉSISTANCE	HEATING ELEMENT SAFETY THERMOSTAT
NM8003		Câble d'alimentation de la résistance	Heating element feeding cable
NM8005		Câble d'alimentation pressostat	Pressurestat feeding cable
RB8003		CABLE EV,SECU,COMPTEUR 2 GR	2 UNITS EV, SECU, COUNTER
RB8004		CABLE 230V ,POMPE ,TRANSFO 2GR	2 UNITS PUMP, TRANSFO, 230V CABLE
RB8005		CABLE NAPPE CPU EXTENTION 2 GR	2 UNITS EXTENTION CPU RIBBON CABLE
RB8007		CABLE NAPPE CPU CLAVIER 2GR 1	2 UNITS KEYBOARD CPU RIBBON CABLE
RB8008		CABLE NAPPE CPU CLAVIER 2GR 2	2 UNITS KEYBOARD CPU RIBBON CABLE
RB8009		CABLE NAPPE CPU CLAVIER STEAMAIR	STEAMAIR KEYBOARD CPU RIBBON CABLE
RB8022		CABLE COMMUTATEUR KONCAR BORNIER EUROPE	EUROPA SWITCH WIRE
A		Commutateur	Switch
B		Bornier	Plug
C		Pressostat	Pressurestat
D		Thermostat de sécurité	Safety thermostat
E		Resistances	Heating elements
F		Chaudière vapeur	Steam boiler
G		Moteur pompe	Pump motor
H		Transformateur	Transformer
I		Boitier CPU	CPU box
J1/J2		Ecran groupe	Unit screen
K1/K2		Doseur volumétrique	Volumetric doser
L1/L2		Microswitch tiroir bac à marc	Microswitch
M1/M2		Microswitch couvercle sécurité	Microswitch
N1/N2		Capteurs infrarouge de la sécurité capot	Sensors infrared of the safety security hood
Q1/Q2		Electrovanne piston gauche	Left piston electrovalve
R1/R2		Electrovanne piston droite	Right piston electrovalve
S1/S2		Electrovanne café gauche	Left coffee electrovalve
T1/T2		Electrovanne café droite	Right coffee electrovalve
U		Electrovanne vapeur	Steam electrovalve
V		Electrovanne eau chaude	hot water electrovalve
W		Electrovanne remplissage	Filling electrovalve
X		Ecran steamair	Steamair screen
Y		Extention CPU 2GR	2 units CPU extention
Z		Electrovanne steamair	Steamair electrovalve

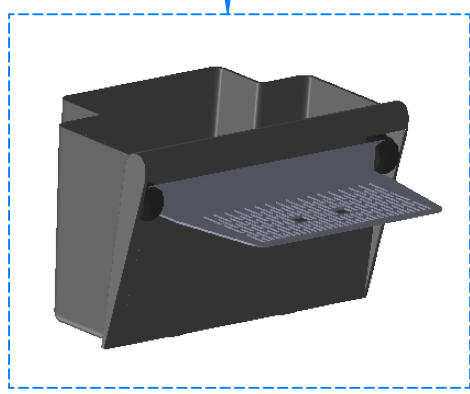


## PLANCHE - PLATE 600

<b>REF</b>	<b>ELUX</b>	<b>DESIGNATIONS FR</b>	<b>DESIGNATIONS GB</b>
50716		VIS TCBZ 3X8	SCREW TCBZ 3X8
DO-195		VIS ACIER INOX TC 4 X 12	SCREW M4 X 12
RB1200		KIT TIROIR A DOSETTES	POD CONTAINER KIT
RB1210		CAPOT SECURITE COMPLET FAP	WHOLE TRAPDOOR SECURITY
RB2025		PLAQUE AIMANT	MAGNET PLATE
RB3066		GRILLE SUSPENDUE	SUSPENDED GRID
RB4040		SUPPORT TABLETTE	SHELF HOLDER
RB7008P		BAC A CAPSULE	CAPSULE CONTAINER



RB1210



RB1200 (STANDARD)

